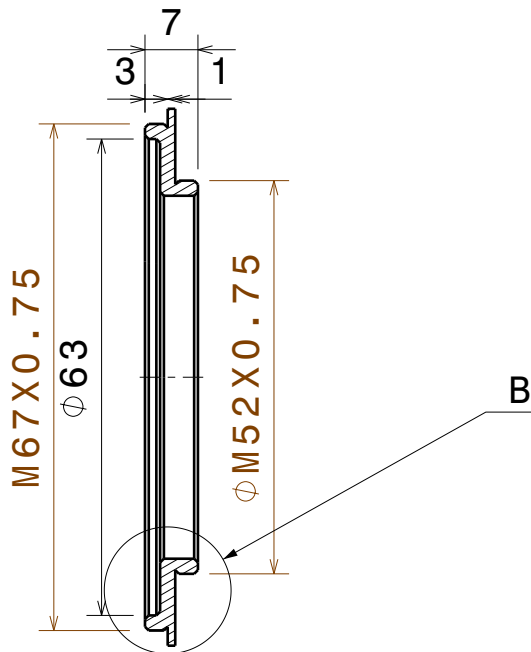
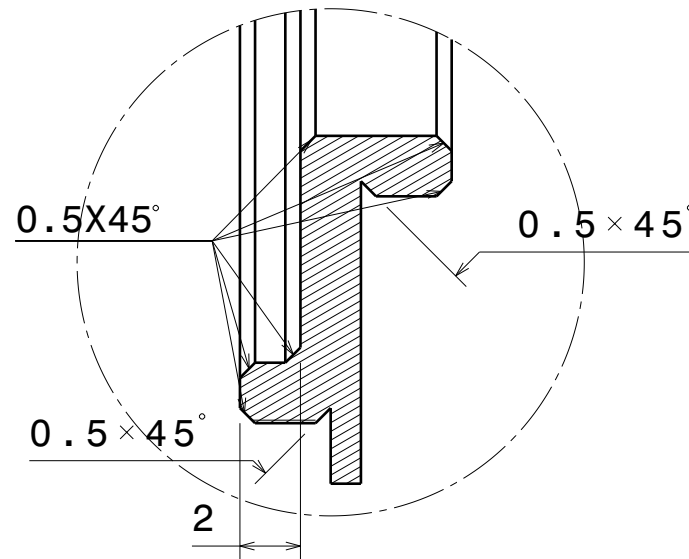


Front view  
Scale: 1:1



Section view A-A  
Scale: 1:1



Detail B  
Scale: 4:1

This drawing is my property. It can't be reproduced without my written agreement.		<a href="http://www.grozeaion.com">www.grozeaion.com</a>			
DRAWN BY <b>GVI</b>		DATE 17.02.2012		Reverse Lens Adapter for Canon	
CHECKED BY <b>GVI</b>		DATE 17.02.2012		SIZE <b>A4</b>	
DESIGNED BY <b>GVI</b>		DATE 17.02.2012		DRAWING NUMBER <b>Converter 67 52</b>	
		SCALE 1:1		WEIGHT(kg) 0.04	
				REV <b>0</b>	
				SHEET 1/1	