

D

C

B

A

4

4

3

3

2

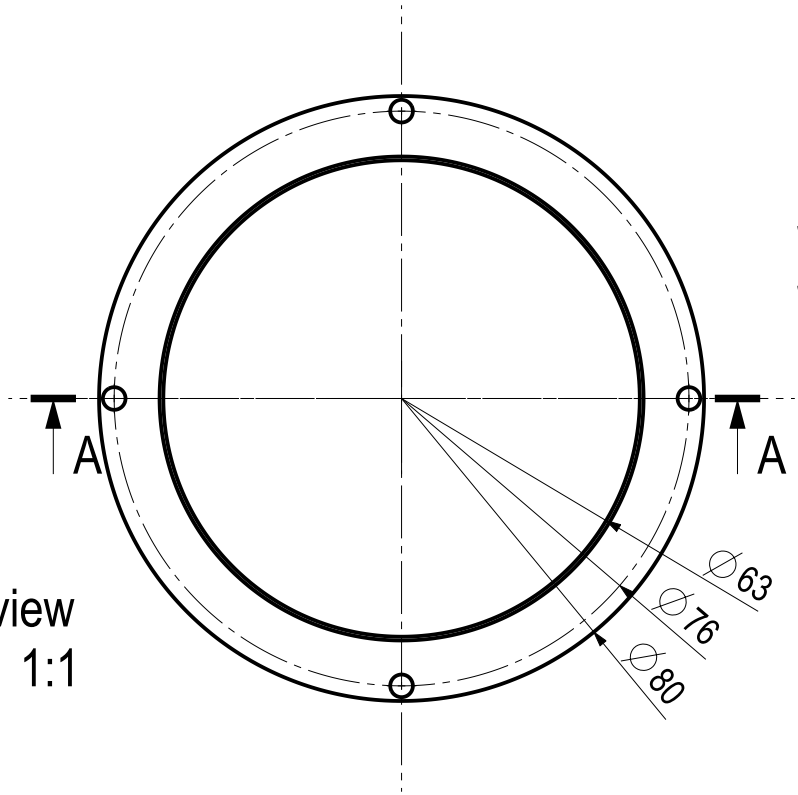
2

1

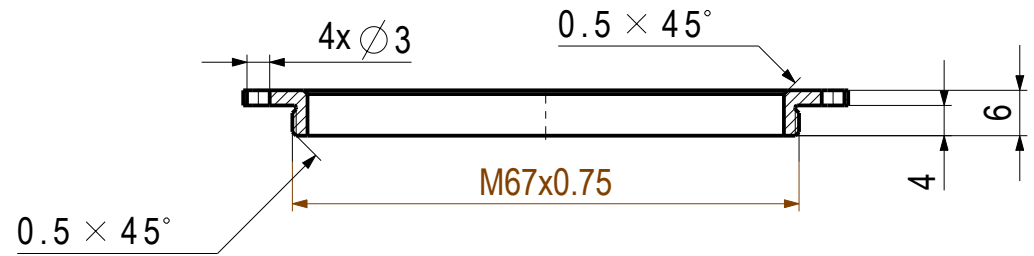
1

D

A



Section view A-A
Scale: 1:1



This drawing is my property. It can't be reproduced without my written agreement.	
DRAWN BY GVI	DATE 17.12.2012
CHECKED BY GVI	DATE 17.12.2012
DESIGNED BY GVI	DATE 17.12.2012

www.grozeaion.com			
Ring Flash Adapter 67mm thread			
SIZE A4	DRAWING NUMBER Ring Flash Adapter		REV 0
SCALE 1:1	WEIGHT(kg) 0.04	SHEET 1/1	