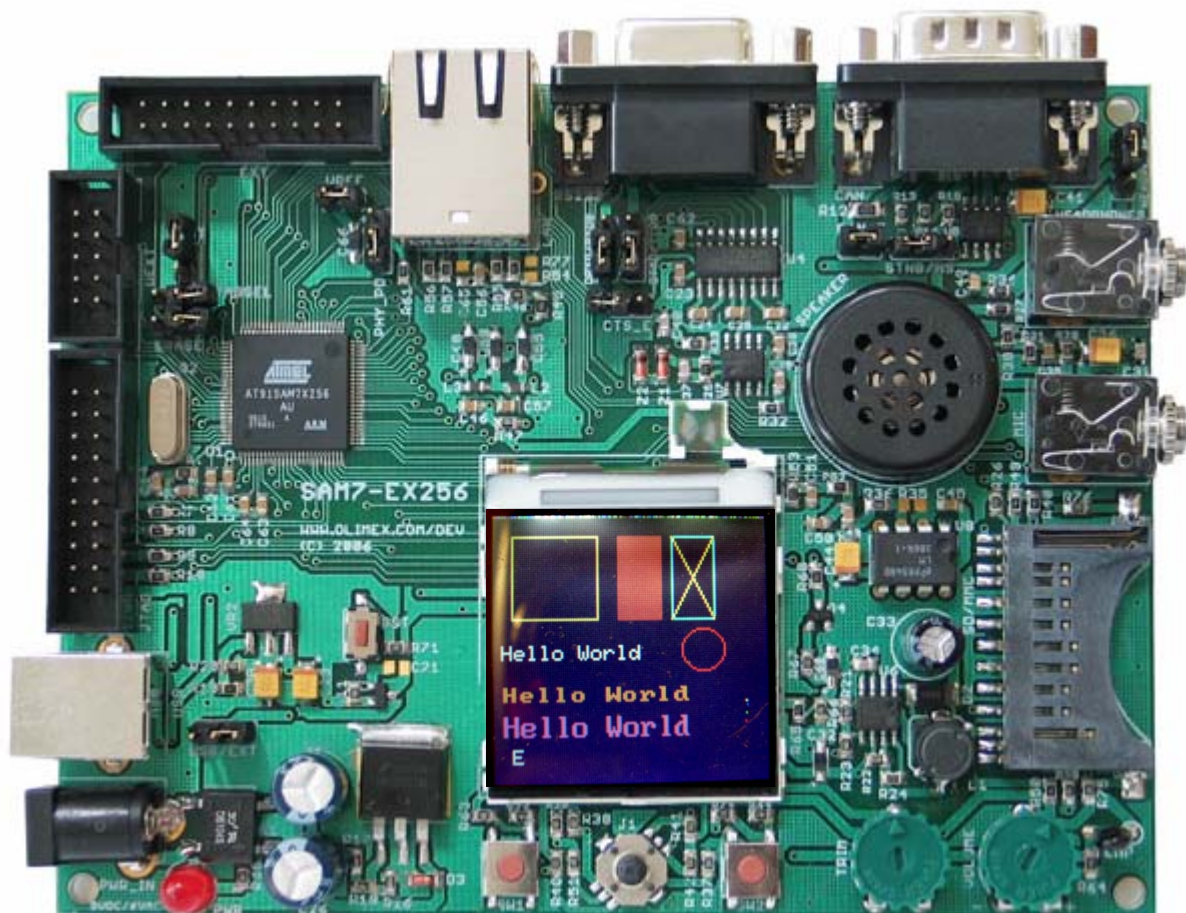


Nokia 6100 LCD Display Driver

Revision 1

Author: James P. Lynch



Introduction

There have been countless millions of Nokia cell phones sold world-wide and this economy of scale has made it possible for the hobbyist and experimenter to procure the LCD graphic display from these phones at a reasonable price. Sparkfun Electronics (www.sparkfun.com) sells a model 6100 for \$19.95 (US). I've seen sources for this display on EBay for \$7.99 (US) plus \$10.00 shipping (from Hong Kong, so shipping is a bit slow). The Swedish web shop Jelu (www.jelu.se) has this display for about \$20.00 (US) also (see photograph below).

Olimex uses these displays on their more sophisticated development boards, so this tutorial will be geared to the Olimex SAM7-EX256 board shown on the front cover.

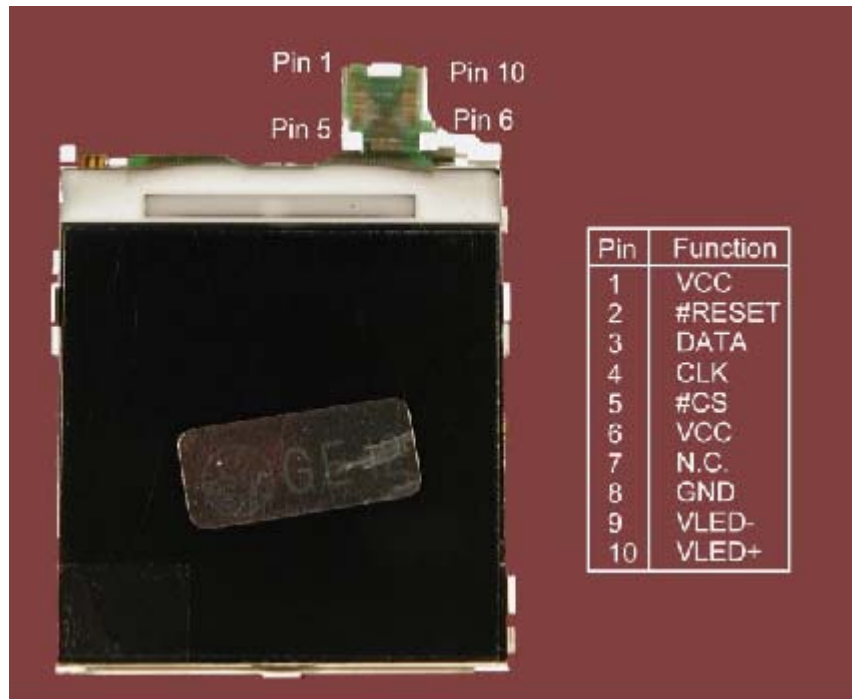


Figure 1. Nokia 6100 LCD Display (from Jelu web site)

The important specifications for this display are as follows:

- 132 x 132 pixels
- 12-bit color rendition (4 bits red, 4-bits green, 4-bits blue)
- 3.3 volts
- 9-bit SPI serial interface (clock/data signals)

The major irritant in using this display is identifying the graphics controller; there are two possibilities (Epson S1D15G00 or Philips PCF8833). The LCD display sold by the German Web Shop Jelu has a Leadis LDS176 controller but it is 100% compatible with the Philips PCF8833). So how do you tell which controller you have? Some message boards have suggested that the LCD display be disassembled and the controller chip measured with a digital caliper – well that's getting a bit extreme.

Here's what I know. The Olimex boards have both display controllers possible; if the LCD has a GE-12 sticker on it, it's a Philips PCF8833. If it has a GE-8 sticker, it's an Epson controller. The older Sparkfun 6100 displays were Epson, their web site indicates that the newer ones are an Epson clone. Sparkfun software examples sometimes refer to the Philips controller so the whole issue has become a bit murky. The trading companies in Hong Kong have no idea what is inside the displays they are selling. A Nokia 6100 display that I purchased from Hong Kong a couple of weeks ago had the Philips controller.

I was not happy with any of the driver software examples I had inspected; they all seemed to be “mash-ups” – collections of code snippets for both types of controllers mixed together. None of these examples matched exactly the Philips PCF8833 or the Epson S1D15G00 user manuals, which can be downloaded from these links.

Philips/NXP PCF8833: http://www.nxp.com/acrobat_download/datasheets/PCF8833_1.pdf

Epson S1D15G00: http://www.sparkfun.com/commerce/product_info.php?products_id=569

So I set out to write a driver based solely on the LCD controller manufacturer’s manual. This is not to say that I didn’t have my own mysteries. I had to “invert” the entire display and “reverse” the RGB order to get the colors to work out properly for the Philips controller. The Epson S1D15G00 user manual is a poor English translation and nearly incomprehensible.

To keep this tutorial simple, I will not address the issues of scrolling or partial displays (to conserve power) since these are rarely-used features.

I used the Olimex SAM7-EX256 evaluation board as the execution platform. This is an ARM7 board with many peripherals that is an excellent way to learn about the ARM architecture at a reasonable price (\$120 from Sparkfun). I also used the YAGARTO/Eclipse platform as the cross-development environment which is explained in great detail in my tutorial “**Using Open Source Tools for AT91SAM7 Cross Development**” which can be downloaded from the following link:

http://www.atmel.com/dyn/resources/prod_documents/atmel_tutorial_source.zip

Hardware connection issues are also not the subject of this tutorial; you can download the Olimex schematic for the SAM7-EX256 board to see their design for a hardware interface to the Nokia 6100 LCD display.

LCD Display Orientation

The Nokia 6100 display has 132 x 132 pixels; each one with 12-bit color (4 bits RED, 4 bits GREEN and 4 bits BLUE). Practically speaking, you cannot see the first and last row and columns. The normal orientation is as follows:

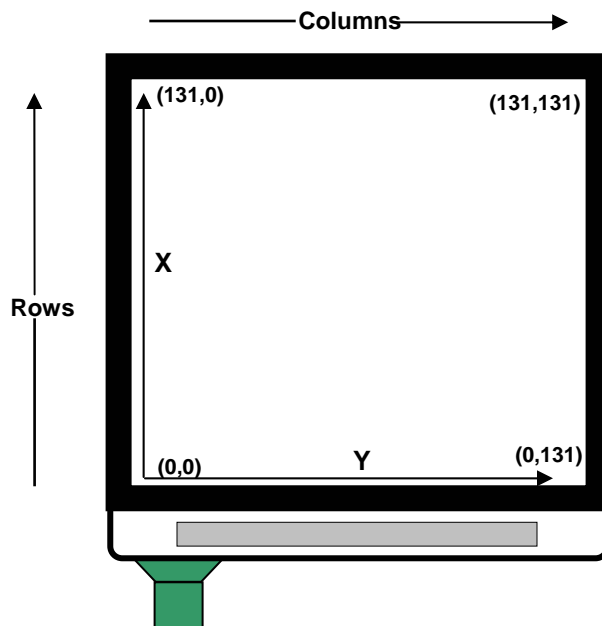


Figure 2. Default Orientation of Nokia 6100 LCD Display

That, of course, is upside-down on the Olimex SAM7-EX256 board if the silk-screen lettering is used as the up/down reference. So I set the “mirror x” and “mirror y” command to rotate the display 180 degrees, as shown below. This will be the orientation used in this tutorial (it is so easy to change back, if you desire).

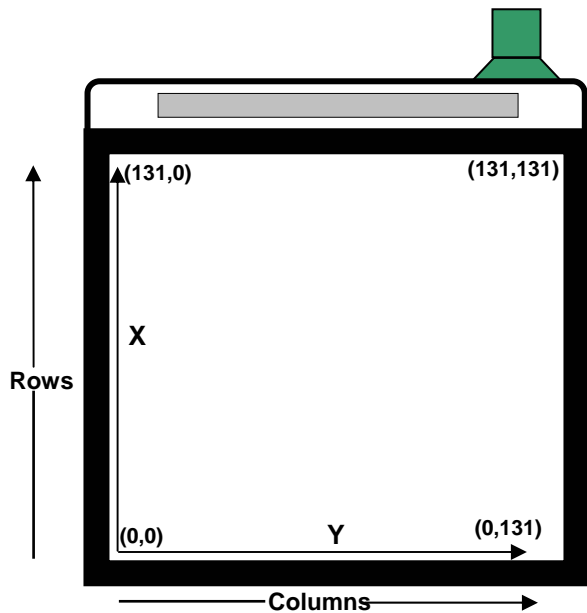


Figure 3. Tutorial Orientation of Nokia 6100 LCD Display

Communication with the Display

The Nokia 6100 uses a two-wire serial SPI interface (clock and data). The ARM7 microcontroller SPI peripheral generates the clock and data signals and the display acts solely as a slave device. Olimex elected to not implement the MISO0 signal that would allow the ARM microcontroller to read from the LCD display (you could read some identification codes, status, temperature data, etc). Therefore, the display is strictly **write-only!**

We send 9 bits to the display serially, the ninth bit indicates if a command byte or a data byte is being transmitted. Note in the timing diagram below from the Philips manual, the ninth bit (command or data) is clocked out first and is LOW to indicate a command byte or HIGH to indicate a data byte.

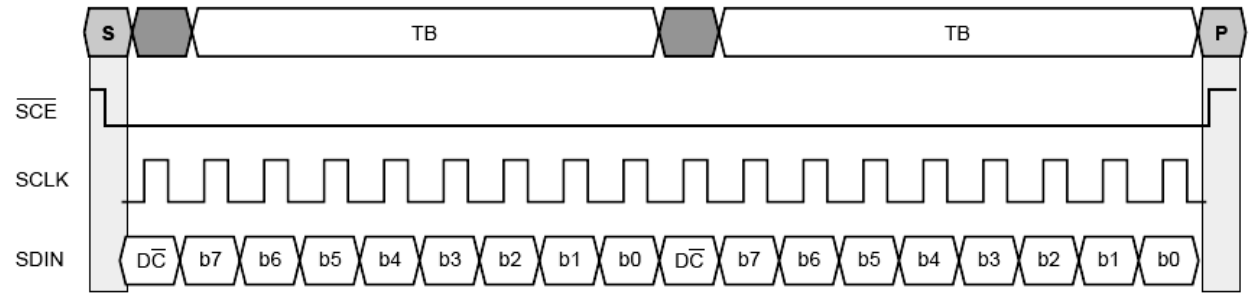


Figure 4. SPI serial interface sends commands and data bytes

How fast can this SPI interface be run? Since the PCF8833 data sheet specifies that the serial clock SCLK period be no less than 150 nsec, dividing the board’s master clock (48054841 Hz) by 8 gives a period of 166 nsec. Thus we can safely run the SPI interface at 6 MHz. I have run the SPI interface at 16 MHz and it still worked, but that is tempting fate.

The SAM7-EX256 board uses an ARM7 microprocessor; so commands or data are submitted to the SPI peripheral as unsigned integers (32 bits) wherein only the lower 9 bits are used.

For example, to send a command we **clear** bit 8 to specify this is a command transmission. The lowest 8 bits contain the desired PCF8833 command.

```

unsigned int    command;                // PCF8833 command byte

while ((pSPI->SPI_SR & AT91C_SPI_TXEMPTY) == 0); // wait for the previous transfer to complete
command = (command & (~0x0100));           // clear bit 8 - indicates a "command" byte
pSPI->SPI_TDR = command;                   // send the command

```

Likewise, to send a data byte we **set** bit 8 to specify that this is a data transmission. The lowest 8 bits contain the desired PCF8833 data byte.

```

unsigned int    data;                    // PCF8833 data byte

while ((pSPI->SPI_SR & AT91C_SPI_TXEMPTY) == 0); // wait for the previous transfer to complete
data = (data | 0x0100);                       // set bit 8 - indicates a "data" byte
pSPI->SPI_TDR = data;                           // send the command

```

Both snippets have a “wait until TXEMPTY” to guarantee that a new command/data stream is not started before the previous one has completed. This is quite safe as you will never get stuck forever in that wait loop.

The LCD driver has three functions supporting the SPI interface to the LCD:

- InitSpi()** - sets up the SPI interface #1 to communicate with the LCD
- WriteSpiCommand(command)** - sends a command byte to the LCD
- WriteSpiData(data)** - sends a data byte to the LCD

Using these commands is quite simple; for example, to initialize the SPI interface and then set the contrast for the Philips controller:

```

InitSpi( ); // Initialize SPI interface to LCD
WriteSpiCommand(SETCON); // Write contrast (command 0x25)
WriteSpiData(0x30); // contrast 0x30 (range is -63 to +63)

```

The hardware interface uses five I/O port pins; four bits from PIOA and one bit from PIOB, as shown in Table 1 and Figure 5 below.

PA2	LCD Reset (set to low to reset)
PA12	LCD chip select (set to low to select the LCD chip)
PA16	SPI0_MISO Master In - Slave Out (not used in LCD interface)
PA17	SPI0_MOSI Master Out - Slave In pin (Serial Data to LCD slave)
PA18	SPI0_SPCK Serial Clock (to LCD slave)
PB20	backlight control (normally PWM control, 1 = full on)

Table 1. I/O port bits used to support the SPI interface to the LCD Display

Note in Table 1 above that Olimex elected not to support the SPIO_MOSI – Master In bit (PA16) which would have allowed the user to read from the display. The LED backlight needs a lot of current, so a 7-volt boost converter is used for this purpose. The backlight can be turned on and off using PB20. It looks like you might be able to PWM the backlight, but I doubt anyone would want the backlight to be at half brightness.

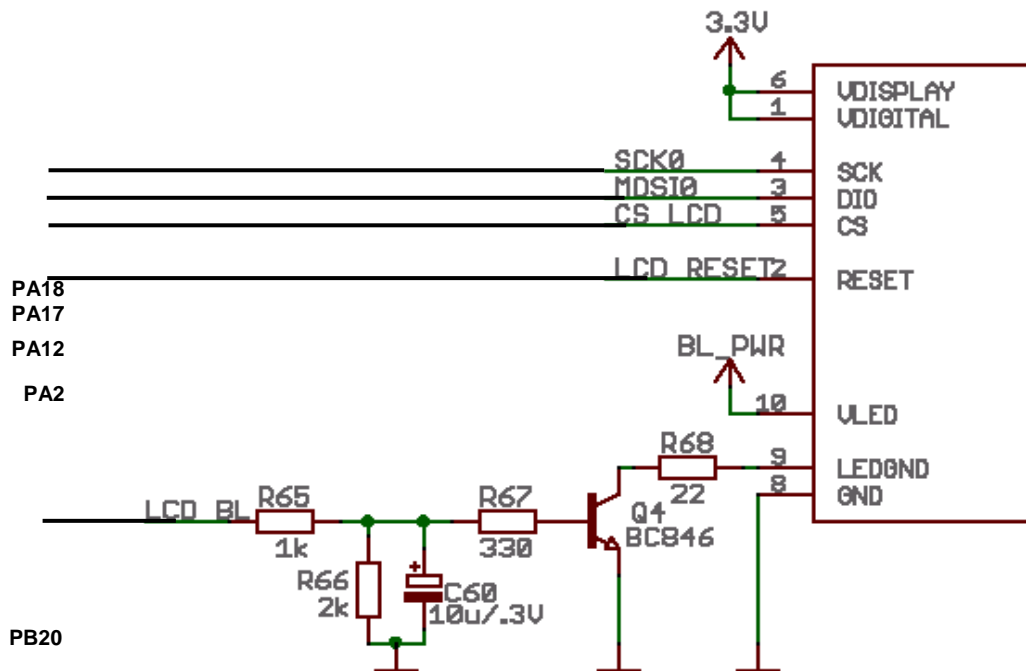


Figure 5. Hardware Interface to Nokia 6100 LCD Display (Olimex design)

Addressing Pixel Memory

The Philips PCF8833 controller has a 17424 word memory (132 x 132), where each word is 12 bits (4-bit color each for red, green and blue). You address it by specifying the address of the desired pixel with the Page Address Set command (rows) and the Column Address Set command (columns).

The Page Address Set and Column Address Set command specify two things, the starting pixel and the ending pixel. This has the effect of creating a drawing box. This sounds overly complex, but it has a wrap-around and auto-increment feature that greatly simplifies writing character fonts and filling rectangles.

The pixel memory has 132 rows and 132 columns, as shown below in Figure 6

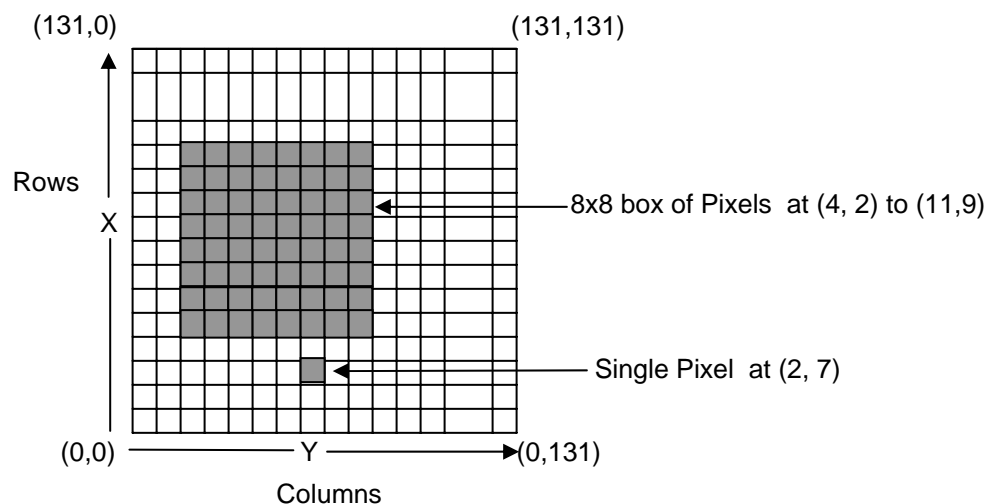


Figure 6. Philips PCF8833 Pixel Memory

To address a single pixel, just specify the same location for the starting pixel and the ending pixel on each axis. For example, to specify a single pixel at (2, 7) use the following sequence.

```

WriteSpiCommand(PASET);           // Row address set (command 0x2B)
WriteSpiData(2);                  // starting x address
WriteSpiData(2);                  // ending x address (same as start)

WriteSpiCommand(CASET);           // Column address set (command 0x2A)
WriteSpiData(7);                  // starting y address
WriteSpiData(7);                  // ending y address (same as start)

```

To address a rectangular area of pixels, just specify the starting location and the ending location on each axis, as shown below. For example, to define a drawing rectangle from (4, 3) to (11, 9) use the following sequence.

```

WriteSpiCommand(PASET);           // Row address set (command 0x2B)
WriteSpiData(4);                  // starting x address
WriteSpiData(11);                 // ending x address

WriteSpiCommand(CASET);           // Column address set (command 0x2A)
WriteSpiData(3);                  // starting y address
WriteSpiData(9);                  // ending y address

```

Once the drawing boundaries have been established (either a single pixel or a rectangular group of pixels), any subsequent memory operations are confined to that boundary. For instance, if you try to write more pixels than defined by the boundaries, the extra pixels are discarded by the controller. The Epson S1D15G00 controller has essentially the same memory layout as the Philips/NXP PCF8833.

12-Bit Color Data

The Philips PCF8833 LCD controller has three different ways to specify a pixel's color.

1. 12 bits per pixel (native mode)

Selection of the native 12 bits/pixel mode is accomplished by sending the Color Interface Pixel Format command (0x3A) followed by a single data byte containing the value 3.

This encoding requires a Memory Write command and 1.5 subsequent data bytes to specify a single pixel. The bytes are packed so that two pixels will occupy three sequential bytes and the process repeats until the drawing boundaries are used up. Figure 7 illustrates the 12 bits/pixel encoding.

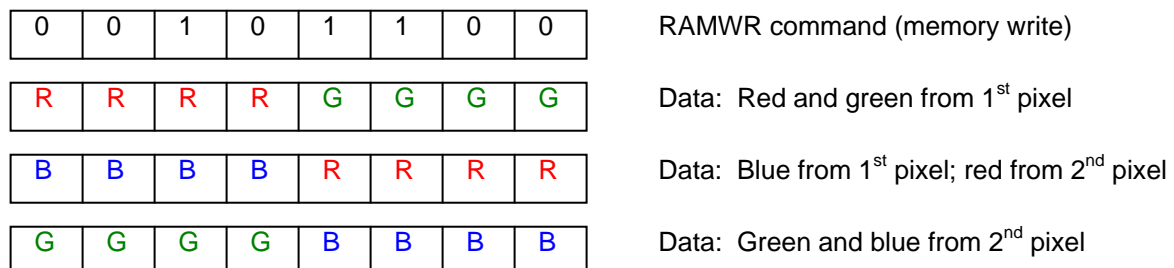


Figure 7. Color encoding for 12 bits / pixel - example illustrates sending 2 pixels

You might pose the question "What happens if I specify a single pixel with just two data bytes. Will the 4-bits of red information from the next pixel (usually set to zero) perturb the neighboring pixel? The answer is no since the PCF8833 controller writes to display RAM only when it gets a complete pixel. The straggler red bits from the next pixel wait for the completion of the remaining colors which will never

come. Appearance of any command will cancel the previous memory operation and discard the unused pixel information. To be safe, I added a NOP command in the LCDSetPixel() function to guarantee that the unused red information from the next pixel is discarded.

Figure 8 demonstrates how to send a single pixel using 12-bit encoding. Note that the last 4 red bits from the next pixel will be ignored.

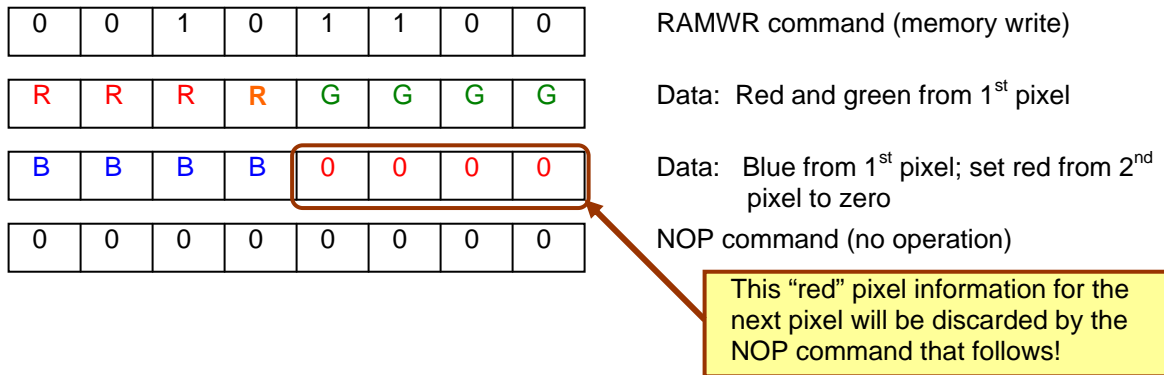


Figure 8. Color encoding for 12 bits / pixel - example illustrates sending 1pixel

2. 8 bits per pixel

Selection of the reduced resolution 8 bits/pixel mode is accomplished by sending the Color Interface Pixel Format command (0x3A) followed by a single data byte containing the value 2.

This encoding requires a Memory Write command and a single subsequent data byte to specify a single pixel. The data byte contains all the color information for one pixel. The color information is encoded as 3 bits for red, 3 bits for green and 2 bits for blue, as shown in Figure 9 below

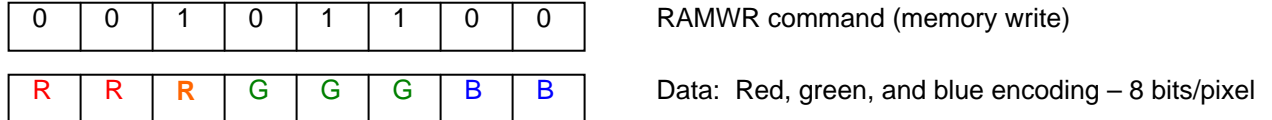


Figure 9. Color encoding for 8 bits – per - pixel

The important thing to note here is that this 8-bit color encoding will be converted to the 12-bit encoding by the Color Table that you set up in advance. This Color Set table will convert 3-bit RED to 4-bit RED, 3-bit GREEN to 4-bit GREEN and 2-bit BLUE to 4-bit BLUE. This is made possible by the specification of the 20 entry color table in the initialization step.

```

WriteSpiCommand(RGBSET);
WriteSpiData(0);
WriteSpiData(2);
WriteSpiData(5);
WriteSpiData(7);
WriteSpiData(9);
WriteSpiData(11);
WriteSpiData(14);
WriteSpiData(16);
WriteSpiData(0);
WriteSpiData(2);
WriteSpiData(5);
WriteSpiData(7);
WriteSpiData(9);
WriteSpiData(11);
WriteSpiData(14);
WriteSpiData(16);
WriteSpiData(0);
WriteSpiData(6);
WriteSpiData(11);
WriteSpiData(15);

// Define Color Table (command 0x2D)
// red 000 value
// red 001 value
// red 010 value
// red 011 value
// red 100 value
// red 101 value
// red 110 value
// red 111 value
// green 000 value
// green 001 value
// green 010 value
// green 011 value
// green 100 value
// green 101 value
// green 110 value
// green 111 value
// blue 000 value
// blue 001 value
// blue 010 value
// blue 011 value

```


Consider the following points. The resolution of the Nokia 6100 display is 132 x 132 pixels, 12 bits/pixel. Since the 8 bits/pixel encoding is converted by the color table to 12 bits/pixel, there is no saving of display memory. The 8 bits/pixel encoding would use about 1/3 less data bytes to fill an area, so there would be a performance gain in terms of the number of bytes transferred. The 8 bits/pixel encoding would make a photograph look terrible. In the author's view, there's very little to be gained by using this mode in an ARM microcontroller environment. Therefore, I elected to not implement the color table and 8-bit encoding in this driver.

3. 16 bits per pixel

Selection of 16 bits/pixel mode is accomplished by sending the Color Interface Pixel Format command (0x3A) followed by a single data byte containing the value 5.

This encoding requires a Memory Write command and two subsequent data bytes to specify a single pixel. The color information is encoded as 5 bits for RED, 6 bits for GREEN and 5 bits for BLUE, as shown in Figure 10 below

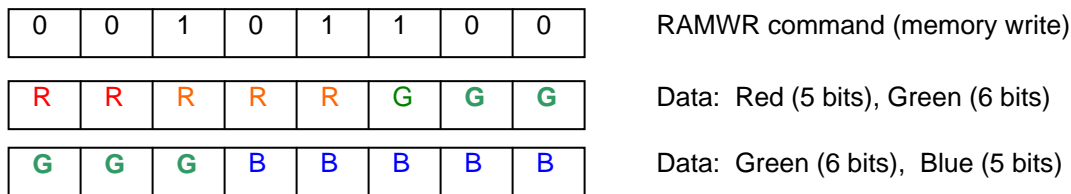


Figure10. Color encoding for 16 bits – per - pixel

This pixel encoding is converted by the controller using a dithering technique to the 12-bit data for the pixel RAM. The net effect is to give 65k color variations. My view is that nobody is going to display the Mona Lisa on this tiny display, so 16-bit color encoding would be rarely used. I did not include support for it in the driver software, but you could easily add it if you desire. The Epson S1D15G00 controller supports the 8-bit and 12-bit modes, but not the 16-bit mode.

Wrap-Around and Auto Increment

The wrap-around feature is the cornerstone of the controller's design and it amazes me how many people ignored it in drawing rectangles and character fonts. This feature allows you to efficiently draw a character or fill a box with just a simple loop – taking advantage of the wrap-around after writing the pixel in the last column and auto-incrementing to the next row. Remember how the pixel was addressed by defining a “drawing box”? If you are planning to draw an 8 x 8 character font, define the drawing box as 8 x 8 and do a simple loop on 64 successive pixels. The row and column addresses will automatically increment and wrap back when you come to the end of a row, as shown in Figure 11 below.

The rules for Auto-incrementing and Wrap-Around are as follows.

- Set the column and row address to the bottom left of the drawing box.
- Set up a loop to do all the pixels in the box. Specifically, since three data bytes will specify the color for two pixels, the loop will typically iterate over ½ the total number of pixels in the box.
- Writing three memory bytes will illuminate two pixels (12-bit resolution). Each pixel written automatically advances the column address. When the “max” column address pixel is done, the column address wraps back to the column starting address **AND** the row address increments by one. Now keep writing memory bytes until the next row is illuminated and so on.

Figure 11 shows the traversal of the drawing box.

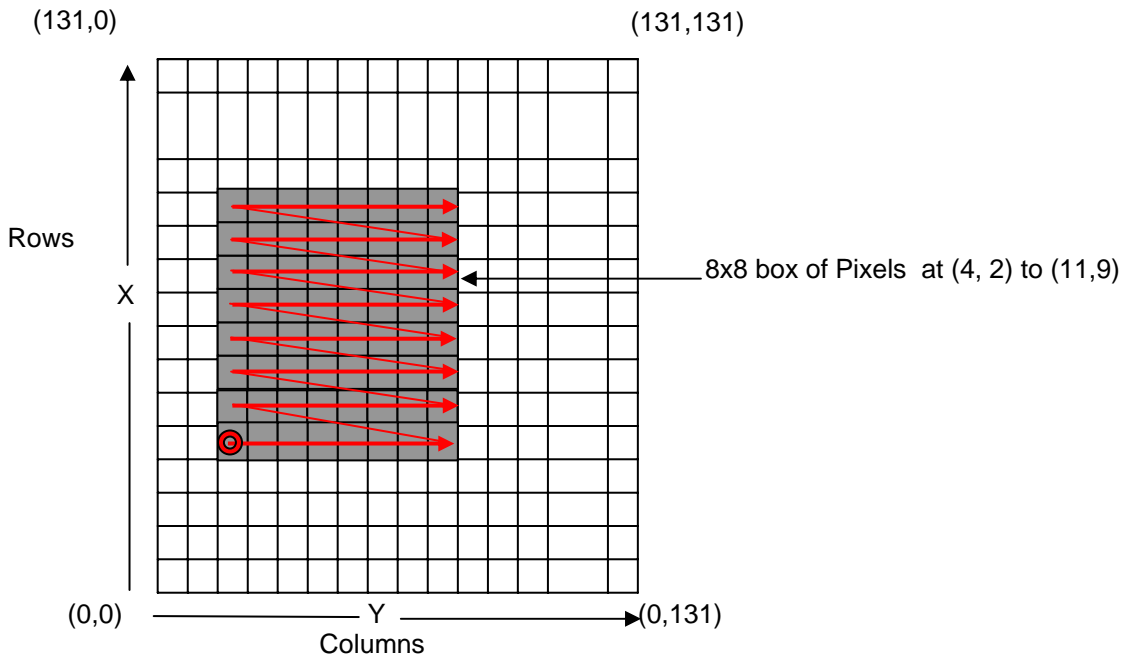


Figure 11. Drawing Box permits auto-increment and wrap-around.

To illustrate this technique, Figure 12 shows the code to fill an 8 x 8 box shown above. Note that we set the row and column address just once (pointing to the lower left corner). Then we do a single Memory Write command followed by three data bytes done 33 times. The grand total is 106 SPI transmissions.

Compare that to the implementation where you address each pixel, set Memory Write and feed two bytes of color data for each pixel. The grand total would be 576 SPI transmissions. The advantage gained using the auto-increment and wrap-around features is obvious.

```

// Row address set (command 0x2B)
WriteSpiCommand(PASET);
WriteSpiData(4);
WriteSpiData(11);

// Column address set (command 0x2A)
WriteSpiCommand(CASET);
WriteSpiData(2);
WriteSpiData(9);

// Write Memory (command 0x2C)
WriteSpiCommand(RAMWR);

// loop on total number of pixels / 2
for (i = 0; i < (((11 - 4 + 1) * (9 - 2 + 1)) / 2) + 1; i++) {
    // use the color value to output three data bytes covering two pixels
    WriteSpiData((color >> 4) & 0xFF);
    WriteSpiData(((color & 0xF) << 4) | ((color >> 8) & 0xF));
    WriteSpiData(color & 0xFF);
}

```

Add one to account for possible round-off error in the divide by 2

Figure 12. Code Snippet to Fill an 8 x 8 box

Code to use this technique to draw a character font is similar, but at each pixel you have to determine if the font calls for a foreground color or the background color.

Initializing the LCD Display (Philips PCF8833)

This was a surprise to me but the Philips PCF8833 does not quite boot into a “ready to display” mode after hardware reset. The following is the minimal commands/data needed to place it into 12-bit color mode.

First, we do a hardware reset with a simple manipulation of the port pin. Reset is asserted low on this controller.

```
// Hardware reset
LCD_RESET_LOW;
Delay(20000);
LCD_RESET_HIGH;
Delay(20000);
```

The controller boots into SLEEPIN mode, which keeps the booster circuits off. We need to exit sleep mode which will also turn on all the voltage booster circuits.

```
// Sleep out (command 0x11)
WriteSpiCommand(SLEEPOUT);
```

This is still a mystery to me, but I had to invert the display and reverse the RGB setting to get the colors to work correctly in this particular display. If you have trouble, consider removing this command.

```
// Inversion on (command 0x20)
WriteSpiCommand(INVON);           // seems to be required for this controller
```

For this driver, I elected to use the 12-bit color pixel format exclusively.

```
// Color Interface Pixel Format (command 0x3A)
WriteSpiCommand(COLMOD);
WriteSpiData(0x03);               // 0x03 = 12 bits-per-pixel
```

In setting up the memory access controller, I elected to use the “mirror x” and “mirror y” commands to reorient the x and y axes to agree with the silk screen lettering on the Olimex board. If you want the default orientation, send the data byte 0x08 instead. Finally, I had to reverse the RGB color setting to get the color information to work properly. You may want to experiment with this setting.

```
// Memory access controller (command 0x36).
WriteSpiCommand(MADCTL);
WriteSpiData(0xC8);               // 0xC0 = mirror x and y, reverse rgb
```

I found that setting the contrast varies from display to display. You may want to try several different contrast data values and observe the results on your display.

```
// Write contrast (command 0x25)
WriteSpiCommand(SETCON);
WriteSpiData(0x30);               // contrast 0x30
Delay(2000);
```

Now that the display is initialized properly, we can turn on the display and we’re ready to start producing characters and graphics.

```
// Display On (command 0x29)
WriteSpiCommand(DISPON);
```

Initializing the LCD Display (Epson S1D15G00)

The Epson S1D15G00 controller also does not quite boot into a “ready to display” mode after hardware reset. The following is the minimal commands/data needed to place it into 12-bit color mode.

First, we do a hardware reset with a simple manipulation of the port pin. Reset is asserted low on this controller.

```
// Hardware reset
LCD_RESET_LOW;
Delay(20000);
LCD_RESET_HIGH;
Delay(20000);
```

Display timing is left at the default (P1 = 0), the duty setting is based on 132 lines (P2 = 0x20) and there will be no inversely highlighted lines (P3 = 0).

```
// Display control
WriteSpiCommand(DISCTL);
WriteSpiData(0x00); // P1: 0x00 = 2 divisions, switching period=8 (default)
WriteSpiData(0x20); // P2: 0x20 = nlines/4 - 1 = 132/4 - 1 = 32)
WriteSpiData(0x00); // P3: 0x00 = no inversely highlighted lines
```

To be completely honest here, the common output scan direction chosen below (P1 = 1) is the only setting I found by experiment that resulted in a normal display; all other settings resulted in split-displays.

```
// COM scan
WriteSpiCommand(COMSCN);
WriteSpiData(0x01); // P1: 0x01 = Scan 1->80, 160<-81
```

Since the Epson S1D15G00 boots up with the oscillators off and in sleep mode, we have to turn the oscillators on and get out of sleep mode.

```
// Internal oscillator ON
WriteSpiCommand(OSCON);

// Sleep out
WriteSpiCommand(SLPOUT);
```

Now turn on all the voltage regulators.

```
// Power control
WriteSpiCommand(PWRCTR);
WriteSpiData(0x0f); // reference voltage regulator on, circuit voltage follower on, BOOST ON
```

Just like the Philips PCF8833 controller, you have to “invert” the display to make the colors display correctly.

```
// Inverse display
WriteSpiCommand(DISINV);
```

The DATCTL command selects the display mode (8-bit or 12-bit). I selected "16 gray-scale" display (P3 = 2) which forces 12-bit color just like the Philips example earlier. The RGB sequence was left as the default value (P2 = 0) and finally I selected page address inverted, column address normal and address scan in the column direction (P1 = 1). I was unable to get the display to work properly in the "default" orientation (connector bottom left) so this initialization assumes that the display is mounted with the connector top right.

```
// Data control
WriteSpiCommand(DATCTL);
WriteSpiData(0x01); // P1: 0x01 = page address inverted, col address normal, address scan in col direction
WriteSpiData(0x00); // P2: 0x00 = RGB sequence (default value)
WriteSpiData(0x02); // P3: 0x02 = Grayscale -> 16 (selects 12-bit color, type A)
```

The contrast is set by the Electronic Volume Command (VOLCTR). The resistance ratio was set to 3 by experiment; this being the only value that worked. The setting of the volume (contrast) value was also determined by experiment. You should try several values to find the one that yields the most pleasing contrast for your display.

```
// Voltage control (contrast setting)
WriteSpiCommand(VOLCTR);
WriteSpiData(32); // P1 = 32 volume value (adjust this setting for your display 0 .. 63)
WriteSpiData(3); // P2 = 3 resistance ratio (determined by experiment)
```

Finally, delay a bit to allow the power regulator circuits to stabilize and then turn on the display. This delay period is crucial; a fact determined by experiment.

```
// allow power supply to stabilize
Delay(100000);

// turn on the display
WriteSpiCommand(DISON);
```

Description of the Software Modules

The driver consists of a C module (**lcd.c**) and a compatible H file (**lcd.h**). There is one version of each for the Philips PCF8833 controller and another version of each for the Epson S1G15D00 controller. The main program runs a series of texts to demonstrate the capabilities of the driver.

A printout of the LCD driver code (both versions) and a simple main program to test it follows directly below. Suitable Eclipse CDT projects are also available in zip file format for those who have the Olimex board.

LCD.H (for Philips PCF8833 Controller only)

The **lcd.h** include file contains the Philips commands and color specification codes.

```
#ifndef Lcd_h
#define Lcd_h
// *****
//          LCD Include File for Philips PCF8833 STN RGB- 132x132x3 Driver
//
//          Taken from Philips data sheet Feb 14, 2003
// *****

// Philips PCF8833 LCD controller command codes
#define NOP                0x00    // nop
#define SWRESET           0x01    // software reset
#define BSTROFF           0x02    // booster voltage OFF
#define BSTRON            0x03    // booster voltage ON
#define RDDIDIF           0x04    // read display identification
#define RDDST             0x09    // read display status
#define SLEEPIN           0x10    // sleep in
#define SLEEPOUT          0x11    // sleep out
#define PTLON             0x12    // partial display mode
#define NORON             0x13    // display normal mode
#define INVOFF            0x20    // inversion OFF
#define INVON             0x21    // inversion ON
#define DALO              0x22    // all pixel OFF
#define DAL               0x23    // all pixel ON
#define SETCON            0x25    // write contrast
#define DISPOFF           0x28    // display OFF
#define DISPON            0x29    // display ON
#define CASET             0x2A    // column address set
#define PASET             0x2B    // page address set
#define RAMWR             0x2C    // memory write
#define RGBSET            0x2D    // colour set
#define PTLAR             0x30    // partial area
#define VSCRDEF           0x33    // vertical scrolling definition
#define TEOFF             0x34    // test mode
#define TEON              0x35    // test mode
#define MADCTL            0x36    // memory access control
#define SEP               0x37    // vertical scrolling start address
#define IDMOFF            0x38    // idle mode OFF
#define IDMON             0x39    // idle mode ON
#define COLMOD            0x3A    // interface pixel format
#define SETVOP            0xB0    // set Vop
#define BRS               0xB4    // bottom row swap
#define TRS               0xB6    // top row swap
#define DISCTR            0xB9    // display control
#define DOR               0xBA    // data order
#define TCDFE             0xBD    // enable/disable DF temperature compensation
#define TCVOPE            0xBF    // enable/disable Vop temp comp
#define EC                0xC0    // internal or external oscillator
#define SETMUL            0xC2    // set multiplication factor
#define TCVOPAB           0xC3    // set TCVOP slopes A and B
#define TCVOPCD           0xC4    // set TCVOP slopes c and d
#define TCDF              0xC5    // set divider frequency
#define DF8COLOR          0xC6    // set divider frequency 8-color mode
#define SETBS             0xC7    // set bias system
#define RDTEMP            0xC8    // temperature read back
#define NLI               0xC9    // n-line inversion
```

```

#define RDID1          0xDA // read ID1
#define RDID2          0xDB // read ID2
#define RDID3          0xDC // read ID3

// backlight control
#define BKLIGHT_LCD_ON 1
#define BKLIGHT_LCD_OFF 2

// Booleans
#define NOFILL 0
#define FILL 1

// 12-bit color definitions
#define WHITE 0xFFF
#define BLACK 0x000
#define RED 0xF00
#define GREEN 0x0F0
#define BLUE 0x00F
#define CYAN 0x0FF
#define MAGENTA 0xF0F
#define YELLOW 0xFF0
#define BROWN 0xB22
#define ORANGE 0xFA0
#define PINK 0xF6A

// Font sizes
#define SMALL 0
#define MEDIUM 1
#define LARGE 2

// hardware definitions
#define SPI_SR_TXEMPTY
#define LCD_RESET_LOW pPIOA->PIO_CODR = BIT2
#define LCD_RESET_HIGH pPIOA->PIO_SODR = BIT2

// mask definitions
#define BIT0 0x00000001
#define BIT1 0x00000002
#define BIT2 0x00000004
#define BIT3 0x00000008
#define BIT4 0x00000010
#define BIT5 0x00000020
#define BIT6 0x00000040
#define BIT7 0x00000080
#define BIT8 0x00000100
#define BIT9 0x00000200
#define BIT10 0x00000400
#define BIT11 0x00000800
#define BIT12 0x00001000
#define BIT13 0x00002000
#define BIT14 0x00004000
#define BIT15 0x00008000
#define BIT16 0x00010000
#define BIT17 0x00020000
#define BIT18 0x00040000
#define BIT19 0x00080000
#define BIT20 0x00100000
#define BIT21 0x00200000
#define BIT22 0x00400000
#define BIT23 0x00800000
#define BIT24 0x01000000
#define BIT25 0x02000000
#define BIT26 0x04000000
#define BIT27 0x08000000
#define BIT28 0x10000000
#define BIT29 0x20000000
#define BIT30 0x40000000
#define BIT31 0x80000000

```



```

//
//
//   HARDWARE INTERFACE
//   -----
//
//   The Nokia 6610 display uses a SPI serial interface (9 bits)
//
//       PA2 = LCD Reset (set to low to reset)
//       PA12 = LCD chip select (set to low to select the LCD chip)
//       PA16 = SPI0_MISO Master In - Slave Out (not used in Olimex SAM7-EX256 LCD interface)
//       PA17 = SPI0_MOSI Master Out - Slave In pin (Serial Data to LCD slave)
//       PA18 = SPI0_SPCK Serial Clock (to LCD slave)
//
//       SPI baud rate set to MCK/2 = 48054841/8 = 6006855 baud
//       (period = 166 nsec, OK since 150 nsec period is min for PCF8833)
//
//   The important thing to note is that you CANNOT read from the LCD!
//
//
//   Author: James P Lynch July 7, 2007
//   *****
//
// *****
//   Include Files
// *****
#include "at91sam7x256.h"
#include "lcd.h"
#include "bmp.h"

// *****
//   forward references
// *****
const unsigned char FONT6x8[97][8];
const unsigned char FONT8x8[97][8];
const unsigned char FONT8x16[97][16];
void InitLcd(void);
void Backlight(unsigned char state);
void WriteSpiCommand(unsigned int data);
void WriteSpiData(unsigned int data);
void InitLcd(void);
void LCDWrite130x130bmp(void);
void LCDClearScreen(void);
void LCDSetXY(int x, int y);
void LCDSetPixel(int x, int y, int color);
void LCDSetLine(int x1, int y1, int x2, int y2, int color);
void LCDSetRect(int x0, int y0, int x1, int y1, unsigned char fill, int color);
void LCDSetCircle(int x0, int y0, int radius, int color);
void LCDPutChar(char c, int x, int y, int size, int fcolor, int bcolor);
void LCDPutString(char *lcd_string, const char *font_style, unsigned char x, unsigned char y,
                 unsigned char fcolor, unsigned char bcolor);
void Delay (unsigned long a);

// *****
//   Pointers to AT91SAM7X256 peripheral data structures
// *****
volatile AT91PS_PIO pPIOA = AT91C_BASE_PIOA;
volatile AT91PS_PIO pPIOB = AT91C_BASE_PIOB;
volatile AT91PS_SPI pSPI = AT91C_BASE_SPI0;
volatile AT91PS_PMC pPMC = AT91C_BASE_PMC;
volatile AT91PS_PDC pPDC = AT91C_BASE_PDC_SPI0;

```

```

// *****
//
//          InitSpi( )
//
// Sets up SPI channel 0 for communications to Nokia 6610 LCD Display
//
// I/O ports used:      PA2 = LCD Reset (set to low to reset)
//                      PA12 = LCD chip select (set to low to select the LCD chip)
//                      PA16 = SPI0_MISO Master In - Slave Out (not used in LCD interface)
//                      PA17 = SPI0_MOSI Master Out - Slave In pin (Serial Data to LCD slave)
//                      PA18 = SPI0_SPCK Serial Clock (to LCD slave)
//                      PB20 = backlight control (normally PWM control, 1 = full on)
//
// Author:  Olimex, James P Lynch      July 7, 2007
// *****

void InitSpi(void) {

// Pin PB20 used for LCD_BL (backlight)
pPIOB->PIO_OER = BIT20; // Configure PB20 as output
pPIOB->PIO_SODR = BIT20; // Set PB20 to HIGH (backlight under PWM control - this will turn it full on)

// Pin PA2 used for LCD_RESET
pPIOA->PIO_OER = BIT2; // Configure PA2 as output
pPIOA->PIO_SODR = BIT2; // Set PA2 to HIGH (assert LCD Reset low then high to reset the controller)

// Pin PA2 used for CS_LCD (chip select)
pPIOA->PIO_OER = BIT12; // Configure PA12 as output
pPIOA->PIO_SODR = BIT12; // Set PA12 to HIGH (assert CS_LCD low to enable transmission)

// Disable the following pins from PIO control (will be used instead by the SPI0 peripheral)
// BIT12 = PA12 -> SPI0_NPCS0 chip select
// BIT16 = PA16 -> SPI0_MISO Master In - Slave Out (not used in LCD interface)
// BIT17 = PA17 -> SPI0_MOSI Master Out - Slave In pin (Serial Data to LCD slave)
// BIT18 = PA18 -> SPI0_SPCK Serial Clock (to LCD slave)
pPIOA->PIO_PDR = BIT12 | BIT16 | BIT17 | BIT18; // Peripheral A Disable Register (Disable PIO control)
pPIOA->PIO_ASR = BIT12 | BIT16 | BIT17 | BIT18; // Peripheral A Select Register (all 4 bits are in PIOA)
pPIOA->PIO_BSR = 0; // Peripheral B Select Register (no bits in PIOB)

//enable the SPI0 Peripheral clock
pPMC->PMC_PCER = 1 << AT91C_ID_SPI0;

// SPI Control Register SPI_CR
pSPI->SPI_CR = AT91C_SPI_SWRST | AT91C_SPI_SPIEN; //Software reset, SPI Enable (0x81)
pSPI->SPI_CR = AT91C_SPI_SPIEN; //SPI Enable (0x01)

// SPI Mode Register SPI_MR = 0xE0011
pSPI->SPI_MR =
    (AT91C_SPI_DLYBCS & (0 << 24)) | // Delay between chip selects (take default: 6 MCK
    // periods)
    (AT91C_SPI_PCS & (0xE << 16)) | // Peripheral Chip Select (selects SPI_NPCS0 or PA12)
    (AT91C_SPI_LLB & (0 << 7)) | // Local Loopback Enabled (disabled)
    (AT91C_SPI_MODFDIS & (1 << 4)) | // Mode Fault Detection (disabled)
    (AT91C_SPI_PCSDEC & (0 << 2)) | // Chip Select Decode (chip selects connected directly
    // to peripheral)
    (AT91C_SPI_PS & (0 << 1)) | // Peripheral Select (fixed)
    (AT91C_SPI_MSTR & (1 << 0)); // Master/Slave Mode (Master)

// SPI Chip Select Register SPI_CSR[0] = 0x01010311
pSPI->SPI_CSR[0] =
    (AT91C_SPI_DLYBCT & (0x01 << 24)) | // Delay between Consecutive Transfers (32 MCK periods)
    (AT91C_SPI_DLYBS & (0x01 << 16)) | // Delay Before SPCK (1 MCK period)
    (AT91C_SPI_SCBR & (0x10 << 8)) | // Serial Clock Baud Rate (baudrate = MCK/8 = 48054841/8
    // = 6006855 baud)
    (AT91C_SPI_BITS & (AT91C_SPI_BITS_9)) | // Bits per Transfer (9 bits)
    (AT91C_SPI_CSAAT & (0x0 << 3)) | // Chip Select Active After Transfer
    (AT91C_SPI_NCPHA & (0x0 << 1)) | // Clock Phase (data captured on falling edge)
    (AT91C_SPI_CPOL & (0x01 << 0)); // Clock Polarity (inactive state is logic one)
}

```

```

// *****
//                                     WriteSpiCommand.c
//
// Writes 9-bit command to LCD display via SPI interface
//
// Inputs:   data - Philips PCF8833 controller/driver command
//
// Note:   clears bit 8 to indicate command transfer
//
// Author:  Olimex, James P Lynch      July 7, 2007
// *****
void WriteSpiCommand(volatile unsigned int command) {

    // wait for the previous transfer to complete
    while((pSPI->SPI_SR & AT91C_SPI_TXEMPTY) == 0);

    // clear bit 8 - indicates a "command"
    command = (command & ~0x0100);

    // send the command
    pSPI->SPI_TDR = command;
}

// *****
//                                     WriteSpiData.c
//
// Writes 9-bit command to LCD display via SPI interface
//
// Inputs:   data - Philips PCF8833 controller/driver command
//
// Note:   Sets bit 8 to indicate data transfer
//
// Author:  Olimex, James P Lynch      July 7, 2007
// *****
void WriteSpiData(volatile unsigned int data) {

    // wait for the transfer to complete
    while ((pSPI->SPI_SR & AT91C_SPI_TXEMPTY) == 0);

    // set bit 8, indicates "data"
    data = (data | 0x0100);

    // send the data
    pSPI->SPI_TDR = data;
}

// *****
//                                     Backlight.c
//
// Turns the backlight on and off
//
// Inputs:   state - 1 = backlight on
//           state - 2 = backlight off
//
// Author:  Olimex, James P Lynch      July 7, 2007
// *****
void Backlight(unsigned char state) {

    if (state == 1)
        pPIOB->PIO_SODR = BIT20;    // Set PB20 to HIGH
    else
        pPIOB->PIO_CODR = BIT20;    // Set PB20 to LOW
}

```



```

// *****
//                                     InitLcd.c
//
//   Initializes the Philips PCF8833 LCD Controller
//
//   Inputs:      none
//
//   Author:   James P Lynch      July 7, 2007
// *****
void InitLcd(void) {

    // Hardware reset
    LCD_RESET_LOW;
    Delay(20000);
    LCD_RESET_HIGH;
    Delay(20000);

    // Sleep out (command 0x11)
    WriteSpiCommand(SLEEP_OUT);

    // Inversion on (command 0x20)
    WriteSpiCommand(INV_ON);          // seems to be required for this controller

    // Color Interface Pixel Format (command 0x3A)
    WriteSpiCommand(COLMOD);
    WriteSpiData(0x03);              // 0x03 = 12 bits-per-pixel

    // Memory access controller (command 0x36)
    WriteSpiCommand(MADCTL);
    WriteSpiData(0xC0);              // 0xC0 = mirror x and y, reverse rgb

    // Write contrast (command 0x25)
    WriteSpiCommand(SETCON);
    WriteSpiData(0x30);              // contrast 0x30
    Delay(2000);

    // Display On (command 0x29)
    WriteSpiCommand(DISP_ON);
}

// *****
//                                     LCDWrite130x130bmp.c
//
//   Writes the entire screen from a bmp file
//   Uses Olimex BmpToArray.exe utility
//
//   Inputs:      picture in bmp.h
//
//   Author:   Olimex, James P Lynch      July 7, 2007
// *****
void LCDWrite130x130bmp(void) {

    long          j;                  // loop counter

    // Memory access controller (command 0x36)
    WriteSpiCommand(MADCTL);
    WriteSpiData(0x48);              // no mirror Y (temporary to satisfy Olimex bmpToArray utility)

    // Display OFF
    WriteSpiCommand(DISPOFF);

    // Column address set (command 0x2A)
    WriteSpiCommand(CASET);
    WriteSpiData(0);
    WriteSpiData(131);

    // Page address set (command 0x2B)
    WriteSpiCommand(PASET);
    WriteSpiData(0);
    WriteSpiData(131);

    // WRITE MEMORY
    WriteSpiCommand(RAMWR);
}

```

```

    For (j = 0; j < sizeof(bmp); j++) {
        WriteSpiData(bmp[j]);
    }

    // Memory access controller (command 0x36)
    WriteSpiCommand(MADCTL);
    WriteSpiData(0xC8); // restore to (mirror x and y, reverse rgb)

    // Display On
    WriteSpiCommand(DISPON);
}

// *****
//                                     LCDClearScreen.c
//
// Clears the LCD screen to single color (BLACK)
//
// Inputs:    none
//
// Author:    James P Lynch    July 7, 2007
// *****
void LCDClearScreen(void) {

    long    i;                // loop counter

    // Row address set (command 0x2B)
    WriteSpiCommand(PASET);
    WriteSpiData(0);
    WriteSpiData(131);

    // Column address set (command 0x2A)
    WriteSpiCommand(CASET);
    WriteSpiData(0);
    WriteSpiData(131);

    // set the display memory to BLACK
    WriteSpiCommand(RAMWR);
    For (i = 0; i < ((131 * 131) / 2); i++) {
        WriteSpiData((BLACK >> 4) & 0xFF);
        WriteSpiData(((BLACK & 0xF) << 4) | ((BLACK >> 8) & 0xF));
        WriteSpiData(BLACK & 0xFF);    }
}

// *****
//                                     LCDSetXY.c
//
// Sets the Row and Column addresses
//
// Inputs:    x = row address (0 .. 131)
//            y = column address (0 .. 131)
//
// Returns:   nothing
//
// Author:    James P Lynch    July 7, 2007
// *****
void LCDSetXY(int x, int y) {

    // Row address set (command 0x2B)
    WriteSpiCommand(PASET);
    WriteSpiData(x);
    WriteSpiData(x);

    // Column address set (command 0x2A)
    WriteSpiCommand(CASET);
    WriteSpiData(y);
    WriteSpiData(y);
}

```

```

// *****
//                               LCDSetPixel.c
//
// Lights a single pixel in the specified color at the specified x and y addresses
//
// Inputs:  x    = row address (0 .. 131)
//          y    = column address (0 .. 131)
//          color = 12-bit color value rrrrggggbbbb
//                rrrr = 1111 full red
//                :
//                0000 red is off
//
//                gggg = 1111 full green
//                :
//                0000 green is off
//
//                bbbb = 1111 full blue
//                :
//                0000 blue is off
//
// Returns:  nothing
//
// Note: see lcd.h for some sample color settings
//
// Author:   James P Lynch    July 7, 2007
// *****
void LCDSetPixel(int x, int y, int color) {

    LCDSetXY(x, y);
    WriteSpiCommand(RAMWR);
    WriteSpiData((unsigned char)((color >> 4) & 0xFFFF));
    WriteSpiData((unsigned char)(((color & 0x0F) << 4) | 0x00));
    WriteSpiCommand(NOP);
}

// *****
//                               LCDSetLine.c
//
// Draws a line in the specified color from (x0,y0) to (x1,y1)
//
// Inputs:  x    = row address (0 .. 131)
//          y    = column address (0 .. 131)
//          color = 12-bit color value rrrrggggbbbb
//                rrrr = 1111 full red
//                :
//                0000 red is off
//
//                gggg = 1111 full green
//                :
//                0000 green is off
//
//                bbbb = 1111 full blue
//                :
//                0000 blue is off
//
// Returns:  nothing
//
// Note: good write-up on this algorithm in Wikipedia (search for Bresenham's line algorithm)
//       see lcd.h for some sample color settings
//
// Authors:   Dr. Leonard McMillan, Associate Professor UNC
//            Jack Bresenham IBM, Winthrop University (Father of this algorithm, 1962)
//
// Note: taken verbatim from Professor McMillan's presentation:
//       http://www.cs.unc.edu/~mcmillan/comp136/Lecture6/Lines.html
// *****
void LCDSetLine(int x0, int y0, int x1, int y1, int color) {

    int dy = y1 - y0;
    int dx = x1 - x0;
    int stepx, stepy;

```



```

if (dy < 0) { dy = -dy; stepy = -1; } else { stepy = 1; }
if (dx < 0) { dx = -dx; stepx = -1; } else { stepx = 1; }
dy <<= 1; // dy is now 2*dy
dx <<= 1; // dx is now 2*dx

LCDSetPixel(x0, y0, color);

if (dx > dy) {
    int fraction = dy - (dx >> 1); // same as 2*dy - dx
    while (x0 != x1) {
        if (fraction >= 0) {
            y0 += stepy;
            fraction -= dx; // same as fraction -= 2*dx
        }
        x0 += stepx;
        fraction += dy; // same as fraction -= 2*dy
        LCDSetPixel(x0, y0, color);
    }
} else {
    int fraction = dx - (dy >> 1);
    while (y0 != y1) {
        if (fraction >= 0) {
            x0 += stepx;
            fraction -= dy;
        }
        y0 += stepy;
        fraction += dx;
        LCDSetPixel(x0, y0, color);
    }
}
}

// *****
// LCDSetRect.c
//
// Draws a rectangle in the specified color from (x1,y1) to (x2,y2)
// Rectangle can be filled with a color if desired
//
// Inputs: x = row address (0 .. 131)
//         y = column address (0 .. 131)
//         fill = 0=no fill, 1-fill entire rectangle
//         color = 12-bit color value for lines rrrrggggbbbb
//               rrrr = 1111 full red
//               :
//               0000 red is off
//               gggg = 1111 full green
//               :
//               0000 green is off
//               bbbb = 1111 full blue
//               :
//               0000 blue is off
//
// Returns: nothing
//
// Notes:
//
// The best way to fill a rectangle is to take advantage of the "wrap-around" featute
// built into the Philips PCF8833 controller. By defining a drawing box, the memory can
// be simply filled by successive memory writes until all pixels have been illuminated.
//
// 1. Given the coordinates of two opposing corners (x0, y0) (x1, y1)
// calculate the minimums and maximums of the coordinates
//
//     xmin = (x0 <= x1) ? x0 : x1;
//     xmax = (x0 > x1) ? x0 : x1;
//     ymin = (y0 <= y1) ? y0 : y1;
//     ymax = (y0 > y1) ? y0 : y1;
//

```

```

//          2. Now set up the drawing box to be the desired rectangle
//
//          WriteSpiCommand(PASET);           // set the row boundaries
//          WriteSpiData(xmin);
//          WriteSpiData(xmax);
//          WriteSpiCommand(CASET);          // set the column boundaries
//          WriteSpiData(ymin);
//          WriteSpiData(ymax);
//
//          3. Calculate the number of pixels to be written divided by 2
//
//          NumPixels = (((xmax - xmin + 1) * (ymax - ymin + 1)) / 2) + 1)
//
//          You may notice that I added one pixel to the formula.
//          This covers the case where the number of pixels is odd and we
//          would lose one pixel due to rounding error. In the case of
//          odd pixels, the number of pixels is exact.
//          in the case of even pixels, we have one more pixel than
//          needed, but it cannot be displayed because it is outside
//          the drawing box.
//
//          We divide by 2 because two pixels are represented by three bytes.
//          So we work through the rectangle two pixels at a time.
//
//          4. Now a simple memory write loop will fill the rectangle
//
//          for (i = 0; i < (((xmax - xmin + 1) * (ymax - ymin + 1)) / 2) + 1); i++) {
//              WriteSpiData((color >> 4) & 0xFF);
//              WriteSpiData(((color & 0xF) << 4) | ((color >> 8) & 0xF));
//              WriteSpiData(color & 0xFF);
//          }
//
//          In the case of an unfilled rectangle, drawing four lines with the Bresenham line
//          drawing algorithm is reasonably efficient.
//
//          Author: James P Lynch       July 7, 2007
//          *****
void LCDSetRect(int x0, int y0, int x1, int y1, unsigned char fill, int color) {
    int    xmin, xmax, ymin, ymax;
    int    i;

    // check if the rectangle is to be filled
    if (fill == FILL) {

        // best way to create a filled rectangle is to define a drawing box
        // and loop two pixels at a time

        // calculate the min and max for x and y directions
        xmin = (x0 <= x1) ? x0 : x1;
        xmax = (x0 > x1) ? x0 : x1;
        ymin = (y0 <= y1) ? y0 : y1;
        ymax = (y0 > y1) ? y0 : y1;

        // specify the controller drawing box according to those limits
        // Row address set (command 0x2B)
        WriteSpiCommand(PASET);
        WriteSpiData(xmin);
        WriteSpiData(xmax);

        // Column address set (command 0x2A)
        WriteSpiCommand(CASET);
        WriteSpiData(ymin);
        WriteSpiData(ymax);

        // WRITE MEMORY
        WriteSpiCommand(RAMWR);

        // loop on total number of pixels / 2
        for (i = 0; i < (((xmax - xmin + 1) * (ymax - ymin + 1)) / 2) + 1); i++) {

            // use the color value to output three data bytes covering two pixels
            WriteSpiData((color >> 4) & 0xFF);
            WriteSpiData(((color & 0xF) << 4) | ((color >> 8) & 0xF));
            WriteSpiData(color & 0xFF);
        }
    }
}

```

```

    } else {
        // best way to draw un unfilled rectangle is to draw four lines
        LCDSetLine(x0, y0, x1, y0, color);
        LCDSetLine(x0, y1, x1, y1, color);
        LCDSetLine(x0, y0, x0, y1, color);
        LCDSetLine(x1, y0, x1, y1, color);
    }
}

```

```

// *****
//                                     LCDSetCircle.c
//
// Draws a line in the specified color at center (x0,y0) with radius
//
// Inputs:  x0      = row address (0 .. 131)
//          y0      = column address (0 .. 131)
//          radius  = radius in pixels
//          color   = 12-bit color value rrrrggggbbbb
//
// Returns:  nothing
//
// Author:   Jack Bresenham IBM, Winthrop University (Father of this algorithm, 1962)
//
//          Note: taken verbatim Wikipedia article on Bresenham's line algorithm
//                http://www.wikipedia.org
// *****

```

```

void LCDSetCircle(int x0, int y0, int radius, int color) {
    int f = 1 - radius;
    int ddF_x = 0;
    int ddF_y = -2 * radius;
    int x = 0;
    int y = radius;

    LCDSetPixel(x0, y0 + radius, color);
    LCDSetPixel(x0, y0 - radius, color);
    LCDSetPixel(x0 + radius, y0, color);
    LCDSetPixel(x0 - radius, y0, color);

    While (x < y) {
        if (f >= 0) {
            y--;
            ddF_y += 2;
            f += ddF_y;
        }
        x++;
        ddF_x += 2;
        f += ddF_x + 1;
        LCDSetPixel(x0 + x, y0 + y, color);
        LCDSetPixel(x0 - x, y0 + y, color);
        LCDSetPixel(x0 + x, y0 - y, color);
        LCDSetPixel(x0 - x, y0 - y, color);
        LCDSetPixel(x0 + y, y0 + x, color);
        LCDSetPixel(x0 - y, y0 + x, color);
        LCDSetPixel(x0 + y, y0 - x, color);
        LCDSetPixel(x0 - y, y0 - x, color);
    }
}

```



```

void LCDPutChar(char c, int x, int y, int size, int fColor, int bColor) {

    extern const unsigned char FONT6x8[97][8];
    extern const unsigned char FONT8x8[97][8];
    extern const unsigned char FONT8x16[97][16];

    int            i,j;
    unsigned int   nCols;
    unsigned int   nRows;
    unsigned int   nBytes;
    unsigned char  PixelRow;
    unsigned char  Mask;
    unsigned int   Word0;
    unsigned int   Word1;
    unsigned char  *pFont;

    unsigned char  *pChar;
    unsigned char  *FontTable[] = {(unsigned char *)FONT6x8,
                                    (unsigned char *)FONT8x8,
                                    (unsigned char *)FONT8x16};

    // get pointer to the beginning of the selected font table
    pFont = (unsigned char *)FontTable[size];

    // get the nColumns, nRows and nBytes
    nCols = *pFont;
    nRows = *(pFont + 1);
    nBytes = *(pFont + 2);

    // get pointer to the last byte of the desired character
    pChar = pFont + (nBytes * (c - 0x1F)) + nBytes - 1;

    // Row address set (command 0x2B)
    WriteSpiCommand(PASET);
    WriteSpiData(x);
    WriteSpiData(x + nRows - 1);

    // Column address set (command 0x2A)
    WriteSpiCommand(CASET);
    WriteSpiData(y);
    WriteSpiData(y + nCols - 1);

    // WRITE MEMORY
    WriteSpiCommand(RAMWR);

    // loop on each row, working backwards from the bottom to the top
    for (i = nRows - 1; i >= 0; i--) {

        // copy pixel row from font table and then decrement row
        PixelRow = *pChar--;

        // loop on each pixel in the row (left to right)
        // Note: we do two pixels each loop
        Mask = 0x80;
        for (j = 0; j < nCols; j += 2) {

            // if pixel bit set, use foreground color; else use the background color
            // now get the pixel color for two successive pixels
            if ((PixelRow & Mask) == 0)
                Word0 = bColor;
            else
                Word0 = fColor;
            Mask = Mask >> 1;
            if ((PixelRow & Mask) == 0)
                Word1 = bColor;
            else
                Word1 = fColor;
            Mask = Mask >> 1;

            // use this information to output three data bytes
            WriteSpiData((Word0 >> 4) & 0xFF);
            WriteSpiData(((Word0 & 0xF) << 4) | ((Word1 >> 8) & 0xF));
            WriteSpiData(Word1 & 0xFF);

        }
    }
    // terminate the Write Memory command
    WriteSpiCommand(NOP);
}

```

```

// *****
//                                     LCDPutStr.c
//
// Draws a null-terminates character string at the specified (x,y) address, size and color
//
// Inputs:      pString = pointer to character string to be displayed
//              x       = row address (0 .. 131)
//              y       = column address (0 .. 131)
//              Size    = font pitch (SMALL, MEDIUM, LARGE)
//              fColor  = 12-bit foreground color value  rrrrggggbbbb
//              bColor  = 12-bit background color value  rrrrggggbbbb
//
// Returns:    nothing
//
// Notes:     Here's an example to display "Hello World!" at address (20,20)
//             LCDPutChar("Hello World!", 20, 20, LARGE, WHITE, BLACK);
//
// Author:    James P Lynch    July 7, 2007
// *****
void LCDPutStr(char *pString, int x, int y, int Size, int fColor, int bColor) {

    // loop until null-terminator is seen
    while (*pString != 0x00) {

        // draw the character
        LCDPutChar(*pString++, x, y, Size, fColor, bColor);

        // advance the y position
        if (Size == SMALL)
            y = y + 6;
        else if (Size == MEDIUM)
            y = y + 8;
        else
            y = y + 8;

        // bail out if y exceeds 131
        if (y > 131) break;
    }
}

// *****
//                                     Delay.c
//
// Simple for loop delay
//
// Inputs: a - loop count
//
// Author: James P Lynch June 27, 2007
// *****
void Delay (unsigned long a) {
    while (--a!=0);
}

```

```

// *****
// Font tables for Nokia 6610 LCD Display Driver (PCF8833 Controller)
//
// FONT6x8 - SMALL font (mostly 5x7)
// FONT8x8 - MEDIUM font (8x8 characters, a bit thicker)
// FONT8x16 - LARGE font (8x16 characters, thicker)
//
// Note: ASCII characters 0x00 through 0x1F are not included in these fonts.
// First row of each font contains the number of columns, the
// number of rows and the number of bytes per character.
//
// Author: Jim Parise, James P Lynch July 7, 2007
// *****
const unsigned char FONT6x8[97][8] = {

0x06,0x08,0x08,0x00,0x00,0x00,0x00,0x00, // columns, rows, num_bytes_per_char
0x00,0x00,0x00,0x00,0x00,0x00,0x00,0x00, // space 0x20
0x20,0x20,0x20,0x20,0x20,0x00,0x20,0x00, // !
0x50,0x50,0x50,0x00,0x00,0x00,0x00,0x00, // "
0x50,0x50,0xF8,0x50,0xF8,0x50,0x50,0x00, // #
0x20,0x78,0xA0,0x70,0x28,0xF0,0x20,0x00, // $
0xC0,0xC8,0x10,0x20,0x40,0x98,0x18,0x00, // %
0x40,0xA0,0xA0,0x40,0xA8,0x90,0x68,0x00, // &
0x30,0x30,0x20,0x40,0x00,0x00,0x00,0x00, // '
0x10,0x20,0x40,0x40,0x40,0x20,0x10,0x00, // (
0x40,0x20,0x10,0x10,0x10,0x20,0x40,0x00, // )
0x00,0x20,0xA8,0x70,0x70,0xA8,0x20,0x00, // *
0x00,0x20,0x20,0xF8,0x20,0x20,0x00,0x00, // +
0x00,0x00,0x00,0x00,0x30,0x30,0x20,0x40, // ,
0x00,0x00,0x00,0xF8,0x00,0x00,0x00,0x00, // -
0x00,0x00,0x00,0x00,0x00,0x30,0x30,0x00, // .
0x00,0x08,0x10,0x20,0x40,0x80,0x00,0x00, // / (forward slash)
0x70,0x88,0x88,0xA8,0x88,0x88,0x70,0x00, // 0 0x30
0x20,0x60,0x20,0x20,0x20,0x20,0x70,0x00, // 1
0x70,0x88,0x08,0x70,0x80,0x80,0xF8,0x00, // 2
0xF8,0x08,0x10,0x30,0x08,0x88,0x70,0x00, // 3
0x10,0x30,0x50,0x90,0xF8,0x10,0x10,0x00, // 4
0xF8,0x80,0xF0,0x08,0x08,0x88,0x70,0x00, // 5
0x38,0x40,0x80,0xF0,0x88,0x88,0x70,0x00, // 6
0xF8,0x08,0x08,0x10,0x20,0x40,0x80,0x00, // 7
0x70,0x88,0x88,0x70,0x88,0x88,0x70,0x00, // 8
0x70,0x88,0x88,0x78,0x08,0x10,0xE0,0x00, // 9
0x00,0x00,0x20,0x00,0x20,0x00,0x00,0x00, // :
0x00,0x00,0x20,0x00,0x20,0x20,0x40,0x00, // ;
0x08,0x10,0x20,0x40,0x20,0x10,0x08,0x00, // <
0x00,0x00,0xF8,0x00,0xF8,0x00,0x00,0x00, // =
0x40,0x20,0x10,0x08,0x10,0x20,0x40,0x00, // >
0x70,0x88,0x08,0x30,0x20,0x00,0x20,0x00, // ?
0x70,0x88,0xA8,0xB8,0xB0,0x80,0x78,0x00, // @ 0x40
0x20,0x50,0x88,0x88,0xF8,0x88,0x88,0x00, // A
0xF0,0x88,0x88,0xF0,0x88,0x88,0xF0,0x00, // B
0x70,0x88,0x80,0x80,0x80,0x88,0x70,0x00, // C
0xF0,0x88,0x88,0x88,0x88,0x88,0xF0,0x00, // D
0xF8,0x80,0x80,0xF0,0x80,0x80,0xF8,0x00, // E
0xF8,0x80,0x80,0xF0,0x80,0x80,0x80,0x00, // F
0x78,0x88,0x80,0x80,0x98,0x88,0x78,0x00, // G
0x88,0x88,0x88,0xF8,0x88,0x88,0x88,0x00, // H
0x70,0x20,0x20,0x20,0x20,0x20,0x70,0x00, // I
0x38,0x10,0x10,0x10,0x10,0x90,0x60,0x00, // J
0x88,0x90,0xA0,0xC0,0xA0,0x90,0x88,0x00, // K
0x80,0x80,0x80,0x80,0x80,0x80,0xF8,0x00, // L
0x88,0xD8,0xA8,0xA8,0xA8,0x88,0x88,0x00, // M
0x88,0x88,0xC8,0xA8,0x98,0x88,0x88,0x00, // N
0x70,0x88,0x88,0x88,0x88,0x88,0x70,0x00, // O
0xF0,0x88,0x88,0xF0,0x80,0x80,0x80,0x00, // P 0x50
0x70,0x88,0x88,0x88,0xA8,0x90,0x68,0x00, // Q
0xF0,0x88,0x88,0xF0,0xA0,0x90,0x88,0x00, // R
0x70,0x88,0x80,0x70,0x08,0x88,0x70,0x00, // S
0xF8,0xA8,0x20,0x20,0x20,0x20,0x20,0x00, // T
0x88,0x88,0x88,0x88,0x88,0x88,0x70,0x00, // U
0x88,0x88,0x88,0x88,0x88,0x50,0x20,0x00, // V
0x88,0x88,0x88,0x88,0xA8,0xA8,0xA8,0x50,0x00, // W
0x88,0x88,0x50,0x20,0x50,0x88,0x88,0x00, // X
0x88,0x88,0x50,0x20,0x20,0x20,0x20,0x00, // Y
0xF8,0x08,0x10,0x70,0x40,0x80,0xF8,0x00, // Z
0x78,0x40,0x40,0x40,0x40,0x40,0x78,0x00, // [
0x00,0x80,0x40,0x20,0x10,0x08,0x00,0x00, // \ (back slash)
0x78,0x08,0x08,0x08,0x08,0x08,0x78,0x00, // ]

```



```

0x20,0x50,0x88,0x00,0x00,0x00,0x00,0x00, // ^
0x00,0x00,0x00,0x00,0x00,0x00,0x00,0x00, //
0x60,0x60,0x20,0x10,0x00,0x00,0x00,0x00, // 0x60
0x00,0x00,0x60,0x10,0x70,0x90,0x78,0x00, // a
0x80,0x80,0xB0,0xC8,0x88,0xC8,0xB0,0x00, // b
0x00,0x00,0x70,0x88,0x80,0x88,0x70,0x00, // c
0x08,0x08,0x68,0x98,0x88,0x98,0x68,0x00, // d
0x00,0x00,0x70,0x88,0xF8,0x80,0x70,0x00, // e
0x10,0x28,0x20,0x70,0x20,0x20,0x20,0x00, // f
0x00,0x00,0x70,0x98,0x98,0x68,0x08,0x70, // g
0x80,0x80,0xB0,0xC8,0x88,0x88,0x88,0x00, // h
0x20,0x00,0x60,0x20,0x20,0x20,0x70,0x00, // i
0x10,0x00,0x10,0x10,0x10,0x90,0x60,0x00, // j
0x80,0x80,0x90,0xA0,0xC0,0xA0,0x90,0x00, // k
0x60,0x20,0x20,0x20,0x20,0x20,0x70,0x00, // l
0x00,0x00,0xD0,0xA8,0xA8,0xA8,0xA8,0x00, // m
0x00,0x00,0xB0,0xC8,0x88,0x88,0x88,0x00, // n
0x00,0x00,0x70,0x88,0x88,0x88,0x70,0x00, // o
0x00,0x00,0xB0,0xC8,0xC8,0xB0,0x80,0x80, // p 0x70
0x00,0x00,0x68,0x98,0x98,0x68,0x08,0x08, // q
0x00,0x00,0xB0,0xC8,0x80,0x80,0x80,0x00, // r
0x00,0x00,0x78,0x80,0x70,0x08,0xF0,0x00, // s
0x20,0x20,0xF8,0x20,0x20,0x28,0x10,0x00, // t
0x00,0x00,0x88,0x88,0x88,0x98,0x68,0x00, // u
0x00,0x00,0x88,0x88,0x88,0x50,0x20,0x00, // v
0x00,0x00,0x88,0x88,0xA8,0xA8,0x50,0x00, // w
0x00,0x00,0x88,0x50,0x20,0x50,0x88,0x00, // x
0x00,0x00,0x88,0x88,0x78,0x08,0x88,0x70, // y
0x00,0x00,0xF8,0x10,0x20,0x40,0xF8,0x00, // z
0x10,0x20,0x20,0x40,0x20,0x20,0x10,0x00, // {
0x20,0x20,0x20,0x00,0x20,0x20,0x20,0x00, // |
0x40,0x20,0x20,0x10,0x20,0x20,0x40,0x00, // }
0x40,0xA8,0x10,0x00,0x00,0x00,0x00,0x00, // ~
0x70,0xD8,0xD8,0x70,0x00,0x00,0x00,0x00}; // DEL

```

```
const unsigned char FONT8x8[97][8] = {
```

```

0x08,0x08,0x08,0x00,0x00,0x00,0x00,0x00, // columns, rows, num_bytes_per_char
0x00,0x00,0x00,0x00,0x00,0x00,0x00,0x00, // space 0x20
0x30,0x78,0x78,0x30,0x30,0x00,0x30,0x00, // !
0x6C,0x6C,0x6C,0x00,0x00,0x00,0x00,0x00, // "
0x6C,0x6C,0xFE,0x6C,0xFE,0x6C,0x6C,0x00, // #
0x18,0x3E,0x60,0x3C,0x06,0x7C,0x18,0x00, // $
0x00,0x63,0x66,0x0C,0x18,0x33,0x63,0x00, // %
0x1C,0x36,0x1C,0x3B,0x6E,0x66,0x3B,0x00, // &
0x30,0x30,0x60,0x00,0x00,0x00,0x00,0x00, // '
0x0C,0x18,0x30,0x30,0x30,0x18,0x0C,0x00, // (
0x30,0x18,0x0C,0x0C,0x0C,0x18,0x30,0x00, // )
0x00,0x66,0x3C,0xFF,0x3C,0x66,0x00,0x00, // *
0x00,0x30,0x30,0xFC,0x30,0x30,0x00,0x00, // +
0x00,0x00,0x00,0x00,0x00,0x18,0x18,0x30, // ,
0x00,0x00,0x00,0x7E,0x00,0x00,0x00,0x00, // -
0x00,0x00,0x00,0x00,0x00,0x18,0x18,0x00, // .
0x03,0x06,0x0C,0x18,0x30,0x60,0x40,0x00, // / (forward slash)
0x3E,0x63,0x63,0x6B,0x63,0x63,0x3E,0x00, // 0 0x30
0x18,0x38,0x58,0x18,0x18,0x18,0x7E,0x00, // 1
0x3C,0x66,0x06,0x1C,0x30,0x66,0x7E,0x00, // 2
0x3C,0x66,0x06,0x1C,0x06,0x66,0x3C,0x00, // 3
0x0E,0x1E,0x36,0x66,0x7F,0x06,0x0F,0x00, // 4
0x7E,0x60,0x7C,0x06,0x06,0x66,0x3C,0x00, // 5
0x1C,0x30,0x60,0x7C,0x66,0x66,0x3C,0x00, // 6
0x7E,0x66,0x06,0x0C,0x18,0x18,0x18,0x00, // 7
0x3C,0x66,0x66,0x3C,0x66,0x66,0x3C,0x00, // 8
0x3C,0x66,0x66,0x3E,0x06,0x0C,0x38,0x00, // 9
0x00,0x18,0x18,0x00,0x00,0x18,0x18,0x00, // :
0x00,0x18,0x18,0x00,0x00,0x18,0x18,0x30, // ;
0x0C,0x18,0x30,0x60,0x30,0x18,0x0C,0x00, // <
0x00,0x00,0x7E,0x00,0x00,0x7E,0x00,0x00, // =
0x30,0x18,0x0C,0x06,0x0C,0x18,0x30,0x00, // >
0x3C,0x66,0x06,0x0C,0x18,0x00,0x18,0x00, // ?
0x3E,0x63,0x6F,0x69,0x6F,0x60,0x3E,0x00, // @ 0x40
0x18,0x3C,0x66,0x66,0x7E,0x66,0x66,0x00, // A
0x7E,0x33,0x33,0x3E,0x33,0x33,0x7E,0x00, // B
0x1E,0x33,0x60,0x60,0x60,0x33,0x1E,0x00, // C
0x7C,0x36,0x33,0x33,0x33,0x36,0x7C,0x00, // D
0x7F,0x31,0x34,0x3C,0x34,0x31,0x7F,0x00, // E
0x7F,0x31,0x34,0x3C,0x34,0x30,0x78,0x00, // F
0x1E,0x33,0x60,0x60,0x67,0x33,0x1F,0x00, // G

```

```

0x66,0x66,0x66,0x7E,0x66,0x66,0x66,0x00, // H
0x3C,0x18,0x18,0x18,0x18,0x18,0x3C,0x00, // I
0x0F,0x06,0x06,0x06,0x66,0x66,0x3C,0x00, // J
0x73,0x33,0x36,0x3C,0x36,0x33,0x73,0x00, // K
0x78,0x30,0x30,0x30,0x31,0x33,0x7F,0x00, // L
0x63,0x77,0x7F,0x7F,0x6B,0x63,0x63,0x00, // M
0x63,0x73,0x7B,0x6F,0x67,0x63,0x63,0x00, // N
0x3E,0x63,0x63,0x63,0x63,0x63,0x3E,0x00, // O
0x7E,0x33,0x33,0x3E,0x30,0x30,0x78,0x00, // P 0x50
0x3C,0x66,0x66,0x66,0x6E,0x3C,0x0E,0x00, // Q
0x7E,0x33,0x33,0x3E,0x36,0x33,0x73,0x00, // R
0x3C,0x66,0x30,0x18,0x0C,0x66,0x3C,0x00, // S
0x7E,0x5A,0x18,0x18,0x18,0x18,0x3C,0x00, // T
0x66,0x66,0x66,0x66,0x66,0x66,0x7E,0x00, // U
0x66,0x66,0x66,0x66,0x66,0x3C,0x18,0x00, // V
0x63,0x63,0x63,0x6B,0x7F,0x77,0x63,0x00, // W
0x63,0x63,0x36,0x1C,0x1C,0x36,0x63,0x00, // X
0x66,0x66,0x66,0x3C,0x18,0x18,0x3C,0x00, // Y
0x7F,0x63,0x46,0x0C,0x19,0x33,0x7F,0x00, // Z
0x3C,0x30,0x30,0x30,0x30,0x30,0x3C,0x00, // [
0x60,0x30,0x18,0x0C,0x06,0x03,0x01,0x00, // \ (back slash)
0x3C,0x0C,0x0C,0x0C,0x0C,0x0C,0x3C,0x00, // ]
0x08,0x1C,0x36,0x63,0x00,0x00,0x00,0x00, // ^
0x00,0x00,0x00,0x00,0x00,0x00,0xFF, // _
0x18,0x18,0x0C,0x00,0x00,0x00,0x00,0x00, // ` 0x60
0x00,0x00,0x3C,0x06,0x3E,0x66,0x3B,0x00, // a
0x70,0x30,0x3E,0x33,0x33,0x33,0x6E,0x00, // b
0x00,0x00,0x3C,0x66,0x60,0x66,0x3C,0x00, // c
0x0E,0x06,0x3E,0x66,0x66,0x66,0x3B,0x00, // d
0x00,0x00,0x3C,0x66,0x7E,0x60,0x3C,0x00, // e
0x1C,0x36,0x30,0x78,0x30,0x30,0x78,0x00, // f
0x00,0x00,0x3B,0x66,0x66,0x3E,0x06,0x7C, // g
0x70,0x30,0x36,0x3B,0x33,0x33,0x73,0x00, // h
0x18,0x00,0x38,0x18,0x18,0x18,0x3C,0x00, // i
0x06,0x00,0x06,0x06,0x06,0x66,0x66,0x3C, // j
0x70,0x30,0x33,0x36,0x3C,0x36,0x73,0x00, // k
0x38,0x18,0x18,0x18,0x18,0x18,0x3C,0x00, // l
0x00,0x00,0x66,0x7F,0x7F,0x6B,0x63,0x00, // m
0x00,0x00,0x7C,0x66,0x66,0x66,0x66,0x00, // n
0x00,0x00,0x3C,0x66,0x66,0x66,0x3C,0x00, // o
0x00,0x00,0x6E,0x33,0x33,0x3E,0x30,0x78, // p 0x70
0x00,0x00,0x3B,0x66,0x66,0x3E,0x06,0x0F, // q
0x00,0x00,0x6E,0x3B,0x33,0x30,0x78,0x00, // r
0x00,0x00,0x3E,0x60,0x3C,0x06,0x7C,0x00, // s
0x08,0x18,0x3E,0x18,0x18,0x1A,0x0C,0x00, // t
0x00,0x00,0x66,0x66,0x66,0x66,0x3B,0x00, // u
0x00,0x00,0x66,0x66,0x66,0x3C,0x18,0x00, // v
0x00,0x00,0x63,0x6B,0x7F,0x7F,0x36,0x00, // w
0x00,0x00,0x63,0x36,0x1C,0x36,0x63,0x00, // x
0x00,0x00,0x66,0x66,0x66,0x3E,0x06,0x7C, // y
0x00,0x00,0x7E,0x4C,0x18,0x32,0x7E,0x00, // z
0x0E,0x18,0x18,0x70,0x18,0x18,0x0E,0x00, // {
0x0C,0x0C,0x0C,0x00,0x0C,0x0C,0x0C,0x00, // |
0x70,0x18,0x18,0x0E,0x18,0x18,0x70,0x00, // }
0x3B,0x6E,0x00,0x00,0x00,0x00,0x00,0x00, // ~
0x1C,0x36,0x36,0x1C,0x00,0x00,0x00,0x00}; // DEL

```

```
const unsigned char FONT8x16[97][16] = {
```

```

0x08,0x10,0x10,0x00,0x00,0x00,0x00,0x00,0x00,0x00,0x00,0x00,0x00,0x00,0x00,0x00, // columns, rows, nbytes
0x00,0x00,0x00,0x00,0x00,0x00,0x00,0x00,0x00,0x00,0x00,0x00,0x00,0x00,0x00,0x00, // space 0x20
0x00,0x00,0x18,0x3C,0x3C,0x3C,0x18,0x18,0x18,0x00,0x18,0x18,0x00,0x00,0x00,0x00, // !
0x00,0x63,0x63,0x63,0x22,0x00,0x00,0x00,0x00,0x00,0x00,0x00,0x00,0x00,0x00,0x00, // "
0x00,0x00,0x00,0x36,0x36,0x7F,0x36,0x36,0x36,0x36,0x7F,0x36,0x36,0x00,0x00,0x00,0x00, // #
0x0C,0x0C,0x3E,0x63,0x61,0x60,0x60,0x03,0x03,0x43,0x63,0x3E,0x0C,0x0C,0x00,0x00, // $
0x00,0x00,0x00,0x00,0x00,0x61,0x63,0x06,0x0C,0x18,0x33,0x63,0x00,0x00,0x00,0x00, // %
0x00,0x00,0x00,0x1C,0x36,0x36,0x1C,0x3B,0x6E,0x66,0x66,0x3B,0x00,0x00,0x00,0x00, // &
0x00,0x30,0x30,0x30,0x60,0x00,0x00,0x00,0x00,0x00,0x00,0x00,0x00,0x00,0x00,0x00, // '
0x00,0x00,0x0C,0x18,0x18,0x30,0x30,0x30,0x30,0x30,0x18,0x18,0x0C,0x00,0x00,0x00,0x00, // (
0x00,0x00,0x18,0x0C,0x0C,0x06,0x06,0x06,0x06,0x0C,0x0C,0x18,0x00,0x00,0x00,0x00, // )
0x00,0x00,0x00,0x00,0x42,0x66,0x3C,0xFF,0x3C,0x66,0x42,0x00,0x00,0x00,0x00,0x00, // *
0x00,0x00,0x00,0x00,0x18,0x18,0x18,0xFF,0x18,0x18,0x18,0x00,0x00,0x00,0x00,0x00, // +
0x00,0x00,0x00,0x00,0x00,0x00,0x00,0x00,0x00,0x00,0x18,0x18,0x30,0x00,0x00,0x00, // ,
0x00,0x00,0x00,0x00,0x00,0x00,0x00,0xFF,0x00,0x00,0x00,0x00,0x00,0x00,0x00,0x00, // -
0x00,0x00,0x00,0x00,0x00,0x00,0x00,0x00,0x00,0x00,0x18,0x18,0x00,0x00,0x00,0x00, // .
0x00,0x00,0x01,0x03,0x07,0x0E,0x1C,0x38,0x70,0xE0,0xC0,0x80,0x00,0x00,0x00,0x00, // / (forward slash)
0x00,0x00,0x3E,0x63,0x63,0x63,0x6B,0x6B,0x63,0x63,0x63,0x3E,0x00,0x00,0x00,0x00, // 0 0x30
0x00,0x00,0x0C,0x1C,0x3C,0x0C,0x0C,0x0C,0x0C,0x0C,0x0C,0x0C,0x3F,0x00,0x00,0x00,0x00, // 1

```


0x00, 0x00, 0x3E, 0x63, 0x03, 0x06, 0x0C, 0x18, 0x30, 0x61, 0x63, 0x7F, 0x00, 0x00, 0x00, 0x00, // 2
0x00, 0x00, 0x3E, 0x63, 0x03, 0x03, 0x1E, 0x03, 0x03, 0x03, 0x03, 0x63, 0x3E, 0x00, 0x00, 0x00, 0x00, // 3
0x00, 0x00, 0x06, 0x0E, 0x1E, 0x36, 0x66, 0x66, 0x7F, 0x06, 0x06, 0x0F, 0x00, 0x00, 0x00, 0x00, // 4
0x00, 0x00, 0x7F, 0x60, 0x60, 0x60, 0x7E, 0x03, 0x03, 0x63, 0x73, 0x3E, 0x00, 0x00, 0x00, 0x00, // 5
0x00, 0x00, 0x1C, 0x30, 0x60, 0x60, 0x7E, 0x63, 0x63, 0x63, 0x63, 0x3E, 0x00, 0x00, 0x00, 0x00, // 6
0x00, 0x00, 0x7F, 0x63, 0x03, 0x06, 0x06, 0x0C, 0x0C, 0x18, 0x18, 0x18, 0x00, 0x00, 0x00, 0x00, // 7
0x00, 0x00, 0x3E, 0x63, 0x63, 0x63, 0x63, 0x63, 0x63, 0x63, 0x63, 0x3E, 0x00, 0x00, 0x00, 0x00, // 8
0x00, 0x00, 0x3E, 0x63, 0x63, 0x63, 0x63, 0x63, 0x3F, 0x03, 0x03, 0x06, 0x3C, 0x00, 0x00, 0x00, 0x00, // 9
0x00, 0x00, 0x00, 0x00, 0x00, 0x18, 0x18, 0x00, 0x00, 0x00, 0x18, 0x18, 0x00, 0x00, 0x00, 0x00, // :
0x00, 0x00, 0x00, 0x00, 0x00, 0x18, 0x18, 0x00, 0x00, 0x00, 0x18, 0x18, 0x18, 0x30, 0x00, 0x00, // ;
0x00, 0x00, 0x00, 0x06, 0x0C, 0x18, 0x30, 0x60, 0x30, 0x18, 0x0C, 0x06, 0x00, 0x00, 0x00, 0x00, // <
0x00, 0x00, 0x00, 0x00, 0x00, 0x00, 0x7E, 0x00, 0x00, 0x00, 0x7E, 0x00, 0x00, 0x00, 0x00, 0x00, // =
0x00, 0x00, 0x00, 0x60, 0x30, 0x18, 0x0C, 0x06, 0x0C, 0x18, 0x30, 0x60, 0x00, 0x00, 0x00, 0x00, // >
0x00, 0x00, 0x3E, 0x63, 0x63, 0x06, 0x0C, 0x0C, 0x0C, 0x00, 0x0C, 0x0C, 0x00, 0x00, 0x00, 0x00, // ?
0x00, 0x00, 0x3E, 0x63, 0x63, 0x6F, 0x6B, 0x6B, 0x6E, 0x60, 0x60, 0x3E, 0x00, 0x00, 0x00, 0x00, // @ 0x40
0x00, 0x00, 0x08, 0x1C, 0x36, 0x63, 0x63, 0x63, 0x7F, 0x63, 0x63, 0x63, 0x63, 0x00, 0x00, 0x00, 0x00, // A
0x00, 0x00, 0x7E, 0x33, 0x33, 0x33, 0x33, 0x33, 0x33, 0x33, 0x33, 0x33, 0x00, 0x00, 0x00, 0x00, // B
0x00, 0x00, 0x1E, 0x33, 0x61, 0x60, 0x60, 0x60, 0x60, 0x61, 0x33, 0x1E, 0x00, 0x00, 0x00, 0x00, // C
0x00, 0x00, 0x7C, 0x36, 0x33, 0x33, 0x33, 0x33, 0x33, 0x33, 0x33, 0x36, 0x7C, 0x00, 0x00, 0x00, 0x00, // D
0x00, 0x00, 0x7F, 0x33, 0x31, 0x34, 0x3C, 0x34, 0x30, 0x31, 0x33, 0x7F, 0x00, 0x00, 0x00, 0x00, // E
0x00, 0x00, 0x7F, 0x33, 0x31, 0x34, 0x3C, 0x34, 0x30, 0x30, 0x30, 0x30, 0x78, 0x00, 0x00, 0x00, 0x00, // F
0x00, 0x00, 0x1E, 0x33, 0x61, 0x60, 0x60, 0x6F, 0x63, 0x63, 0x37, 0x1D, 0x00, 0x00, 0x00, 0x00, // G
0x00, 0x00, 0x63, 0x63, 0x63, 0x63, 0x7F, 0x63, 0x63, 0x63, 0x63, 0x63, 0x00, 0x00, 0x00, 0x00, // H
0x00, 0x00, 0x3C, 0x18, 0x18, 0x18, 0x18, 0x18, 0x18, 0x18, 0x18, 0x3C, 0x00, 0x00, 0x00, 0x00, // I
0x00, 0x00, 0x0F, 0x06, 0x06, 0x06, 0x06, 0x06, 0x06, 0x66, 0x3C, 0x00, 0x00, 0x00, 0x00, // J
0x00, 0x00, 0x73, 0x33, 0x36, 0x36, 0x3C, 0x36, 0x36, 0x33, 0x33, 0x73, 0x00, 0x00, 0x00, 0x00, // K
0x00, 0x00, 0x78, 0x30, 0x30, 0x30, 0x30, 0x30, 0x30, 0x31, 0x33, 0x7F, 0x00, 0x00, 0x00, 0x00, // L
0x00, 0x00, 0x63, 0x77, 0x7F, 0x6B, 0x63, 0x63, 0x63, 0x63, 0x63, 0x63, 0x00, 0x00, 0x00, 0x00, // M
0x00, 0x00, 0x63, 0x63, 0x73, 0x7B, 0x7F, 0x6F, 0x67, 0x63, 0x63, 0x63, 0x00, 0x00, 0x00, 0x00, // N
0x00, 0x00, 0x1C, 0x36, 0x63, 0x63, 0x63, 0x63, 0x63, 0x63, 0x36, 0x1C, 0x00, 0x00, 0x00, 0x00, // O
0x00, 0x00, 0x7E, 0x33, 0x33, 0x33, 0x3E, 0x30, 0x30, 0x30, 0x30, 0x78, 0x00, 0x00, 0x00, 0x00, // P 0x50
0x00, 0x00, 0x3E, 0x63, 0x63, 0x63, 0x63, 0x63, 0x63, 0x63, 0x6B, 0x6F, 0x3E, 0x06, 0x07, 0x00, 0x00, // Q
0x00, 0x00, 0x7E, 0x33, 0x33, 0x33, 0x3E, 0x36, 0x36, 0x33, 0x33, 0x73, 0x00, 0x00, 0x00, 0x00, // R
0x00, 0x00, 0x3E, 0x63, 0x63, 0x30, 0x1C, 0x06, 0x03, 0x63, 0x3E, 0x00, 0x00, 0x00, 0x00, // S
0x00, 0x00, 0xFF, 0xDB, 0x99, 0x18, 0x18, 0x18, 0x18, 0x18, 0x18, 0x3C, 0x00, 0x00, 0x00, 0x00, // T
0x00, 0x00, 0x63, 0x63, 0x63, 0x63, 0x63, 0x63, 0x63, 0x63, 0x63, 0x63, 0x3E, 0x00, 0x00, 0x00, 0x00, // U
0x00, 0x00, 0x63, 0x63, 0x63, 0x63, 0x63, 0x63, 0x63, 0x63, 0x36, 0x1C, 0x08, 0x00, 0x00, 0x00, 0x00, // V
0x00, 0x00, 0x63, 0x63, 0x63, 0x63, 0x63, 0x6B, 0x6B, 0x7F, 0x36, 0x36, 0x00, 0x00, 0x00, 0x00, // W
0x00, 0x00, 0xC3, 0xC3, 0x66, 0x3C, 0x18, 0x18, 0x18, 0x3C, 0x66, 0xC3, 0xC3, 0x00, 0x00, 0x00, 0x00, // X
0x00, 0x00, 0xC3, 0xC3, 0xC3, 0x66, 0x3C, 0x18, 0x18, 0x18, 0x18, 0x3C, 0x00, 0x00, 0x00, 0x00, // Y
0x00, 0x00, 0x7F, 0x63, 0x43, 0x06, 0x0C, 0x18, 0x30, 0x61, 0x63, 0x7F, 0x00, 0x00, 0x00, 0x00, // Z
0x00, 0x00, 0x3C, 0x30, 0x30, 0x30, 0x30, 0x30, 0x30, 0x30, 0x30, 0x30, 0x30, 0x00, 0x00, 0x00, 0x00, // [
0x00, 0x00, 0x80, 0xC0, 0xE0, 0x70, 0x38, 0x1C, 0x0E, 0x07, 0x03, 0x01, 0x00, 0x00, 0x00, 0x00, // \ (back slash)
0x00, 0x00, 0x3C, 0x0C, 0x0C, 0x0C, 0x0C, 0x0C, 0x0C, 0x0C, 0x0C, 0x0C, 0x3C, 0x00, 0x00, 0x00, 0x00, //]
0x08, 0x1C, 0x36, 0x63, 0x00, 0x00, 0x00, 0x00, 0x00, 0x00, 0x00, 0x00, 0x00, 0x00, 0x00, 0x00, // ^
0x00, 0x00, 0x00, 0x00, 0x00, 0x00, 0x00, 0x00, 0x00, 0x00, 0x00, 0x00, 0xFF, 0x00, 0x00, 0x00, // _
0x18, 0x18, 0x0C, 0x00, 0x00, 0x00, 0x00, 0x00, 0x00, 0x00, 0x00, 0x00, 0x00, 0x00, 0x00, 0x00, // ` 0x60
0x00, 0x00, 0x00, 0x00, 0x00, 0x3C, 0x46, 0x06, 0x3E, 0x66, 0x66, 0x3B, 0x00, 0x00, 0x00, 0x00, // a
0x00, 0x00, 0x70, 0x30, 0x30, 0x3C, 0x36, 0x33, 0x33, 0x33, 0x33, 0x6E, 0x00, 0x00, 0x00, 0x00, // b
0x00, 0x00, 0x00, 0x00, 0x00, 0x3E, 0x63, 0x60, 0x60, 0x60, 0x63, 0x3E, 0x00, 0x00, 0x00, 0x00, // c
0x00, 0x00, 0x0E, 0x06, 0x06, 0x1E, 0x36, 0x66, 0x66, 0x66, 0x66, 0x3B, 0x00, 0x00, 0x00, 0x00, // d
0x00, 0x00, 0x00, 0x00, 0x00, 0x00, 0x3E, 0x63, 0x63, 0x7E, 0x00, 0x63, 0x3E, 0x00, 0x00, 0x00, // e
0x00, 0x00, 0x1C, 0x36, 0x32, 0x30, 0x7C, 0x30, 0x30, 0x30, 0x30, 0x78, 0x00, 0x00, 0x00, 0x00, // f
0x00, 0x00, 0x00, 0x00, 0x00, 0x3B, 0x66, 0x66, 0x66, 0x66, 0x3E, 0x06, 0x66, 0x3C, 0x00, 0x00, // g
0x00, 0x00, 0x70, 0x30, 0x30, 0x36, 0x3B, 0x33, 0x33, 0x33, 0x33, 0x73, 0x00, 0x00, 0x00, 0x00, // h
0x00, 0x00, 0x0C, 0x0C, 0x00, 0x1C, 0x0C, 0x0C, 0x0C, 0x0C, 0x0C, 0x1E, 0x00, 0x00, 0x00, 0x00, // i
0x00, 0x00, 0x06, 0x06, 0x00, 0x0E, 0x06, 0x06, 0x06, 0x06, 0x06, 0x66, 0x66, 0x3C, 0x00, 0x00, // j
0x00, 0x00, 0x70, 0x30, 0x30, 0x33, 0x33, 0x36, 0x3C, 0x36, 0x33, 0x73, 0x00, 0x00, 0x00, 0x00, // k
0x00, 0x00, 0x1C, 0x0C, 0x0C, 0x0C, 0x0C, 0x0C, 0x0C, 0x0C, 0x0C, 0x1E, 0x00, 0x00, 0x00, 0x00, // l
0x00, 0x00, 0x00, 0x00, 0x00, 0x6E, 0x7F, 0x6B, 0x6B, 0x6B, 0x6B, 0x6B, 0x00, 0x00, 0x00, 0x00, // m
0x00, 0x00, 0x00, 0x00, 0x00, 0x6E, 0x33, 0x33, 0x33, 0x33, 0x33, 0x33, 0x33, 0x00, 0x00, 0x00, 0x00, // n
0x00, 0x00, 0x00, 0x00, 0x00, 0x3E, 0x63, 0x63, 0x63, 0x63, 0x63, 0x3E, 0x00, 0x00, 0x00, 0x00, // o
0x00, 0x00, 0x00, 0x00, 0x00, 0x6E, 0x33, 0x33, 0x33, 0x33, 0x3E, 0x30, 0x30, 0x78, 0x00, 0x00, // p 0x70
0x00, 0x00, 0x00, 0x00, 0x00, 0x3B, 0x66, 0x66, 0x66, 0x66, 0x3E, 0x06, 0x06, 0x0F, 0x00, 0x00, // q
0x00, 0x00, 0x00, 0x00, 0x00, 0x6E, 0x3B, 0x33, 0x30, 0x30, 0x30, 0x78, 0x00, 0x00, 0x00, 0x00, // r
0x00, 0x00, 0x00, 0x00, 0x00, 0x3E, 0x63, 0x38, 0x0E, 0x03, 0x63, 0x3E, 0x00, 0x00, 0x00, 0x00, // s
0x00, 0x00, 0x08, 0x18, 0x18, 0x7E, 0x18, 0x18, 0x18, 0x18, 0x1B, 0x0E, 0x00, 0x00, 0x00, 0x00, // t
0x00, 0x00, 0x00, 0x00, 0x00, 0x66, 0x66, 0x66, 0x66, 0x66, 0x66, 0x3B, 0x00, 0x00, 0x00, 0x00, // u
0x00, 0x00, 0x00, 0x00, 0x00, 0x63, 0x63, 0x36, 0x36, 0x1C, 0x1C, 0x08, 0x00, 0x00, 0x00, 0x00, // v
0x00, 0x00, 0x00, 0x00, 0x00, 0x63, 0x63, 0x63, 0x6B, 0x6B, 0x7F, 0x36, 0x00, 0x00, 0x00, 0x00, // w

0x00, 0x00, 0x00, 0x00, 0x00, 0x63, 0x36, 0x1C, 0x1C, 0x1C, 0x36, 0x63, 0x00, 0x00, 0x00, 0x00, // x
0x00, 0x00, 0x00, 0x00, 0x00, 0x63, 0x63, 0x63, 0x63, 0x63, 0x3F, 0x03, 0x06, 0x3C, 0x00, 0x00, // y
0x00, 0x00, 0x00, 0x00, 0x00, 0x7F, 0x66, 0x0C, 0x18, 0x30, 0x63, 0x7F, 0x00, 0x00, 0x00, 0x00, // z

```
0x00,0x00,0x0E,0x18,0x18,0x18,0x70,0x18,0x18,0x18,0x18,0x0E,0x00,0x00,0x00,0x00, // {
0x00,0x00,0x18,0x18,0x18,0x18,0x18,0x00,0x18,0x18,0x18,0x18,0x18,0x00,0x00,0x00, // |
0x00,0x00,0x70,0x18,0x18,0x18,0x0E,0x18,0x18,0x18,0x18,0x70,0x00,0x00,0x00,0x00, // }
0x00,0x00,0x3B,0x6E,0x00,0x00,0x00,0x00,0x00,0x00,0x00,0x00,0x00,0x00,0x00,0x00, // ~
0x00,0x70,0xD8,0xD8,0x70,0x00,0x00,0x00,0x00,0x00,0x00,0x00,0x00,0x00,0x00,0x00}; // DEL
```

LCD.H (for Epson S1D15G00 Controller only)

This `lcd.h` include file contains the Epson commands and color specification codes.

```
#ifndef Lcd_h
#define Lcd_h
// *****
//                               lcd.h
//
//   include file for Epson S1D15G00 LCD Controller
//
//
//   Author:  James P Lynch  August 30, 2007
// *****

#define DISON      0xAF      // Display on
#define DISOFF    0xAE      // Display off
#define DISNOR    0xA6      // Normal display
#define DISINV    0xA7      // Inverse display
#define COMSCN    0xBB      // Common scan direction
#define DISCTL    0xCA      // Display control
#define SLPIN     0x95      // Sleep in
#define SLPOUT    0x94      // Sleep out
#define PASET     0x75      // Page address set
#define CASET     0x15      // Column address set
#define DATCTL    0xBC      // Data scan direction, etc.
#define RGBSET8   0xCE      // 256-color position set
#define RAMWR     0x5C      // Writing to memory
#define RAMRD     0x5D      // Reading from memory
#define PTLIN     0xA8      // Partial display in
#define PTLOUT    0xA9      // Partial display out
#define RMWIN     0xE0      // Read and modify write
#define RMWOUT    0xEE      // End
#define ASCSET    0xAA      // Area scroll set
#define SCSTART   0xAB      // Scroll start set
#define OSCON     0xD1      // Internal oscillation on
#define OSCOFF    0xD2      // Internal oscillation off
#define PWRCTR    0x20      // Power control
#define VOLCTR    0x81      // Electronic volume control
#define VOLUP     0xD6      // Increment electronic control by 1
#define VOLDOWN   0xD7      // Decrement electronic control by 1
#define TMPGRD    0x82      // Temperature gradient set
#define EPCTIN    0xCD      // Control EEPROM
#define EPCOUT    0xCC      // Cancel EEPROM control
#define EPMWR     0xFC      // Write into EEPROM
#define EPMRD     0xFD      // Read from EEPROM
#define EPSRRD1   0x7C      // Read register 1
#define EPSRRD2   0x7D      // Read register 2
#define NOP       0x25      // NOP instruction

#define BKLIGHT_LCD_ON      1
#define BKLIGHT_LCD_OFF    2

// backlight control
#define BKLIGHT_LCD_ON      1
#define BKLIGHT_LCD_OFF    2

// Booleans
#define NOFILL               0
#define FILL                 1
```



```

// 12-bit color definitions
#define WHITE      0xFFF
#define BLACK     0x000
#define RED       0xF00
#define GREEN     0x0F0
#define BLUE     0x00F
#define CYAN     0x0FF
#define MAGENTA  0xF0F
#define YELLOW   0xFF0
#define BROWN    0xB22
#define ORANGE   0xFA0
#define PINK     0xF6A

// Font sizes
#define SMALL     0
#define MEDIUM   1
#define LARGE     2

// hardware definitions
#define SPI_SR_TXEMPTY
#define LCD_RESET_LOW    pPIOA->PIO_CODR = BIT2
#define LCD_RESET_HIGH  pPIOA->PIO_SODR = BIT2

// mask definitions
#define BIT0      0x00000001
#define BIT1      0x00000002
#define BIT2      0x00000004
#define BIT3      0x00000008
#define BIT4      0x00000010
#define BIT5      0x00000020
#define BIT6      0x00000040
#define BIT7      0x00000080
#define BIT8      0x00000100
#define BIT9      0x00000200
#define BIT10     0x00000400
#define BIT11     0x00000800
#define BIT12     0x00001000
#define BIT13     0x00002000
#define BIT14     0x00004000
#define BIT15     0x00008000
#define BIT16     0x00010000
#define BIT17     0x00020000
#define BIT18     0x00040000
#define BIT19     0x00080000
#define BIT20     0x00100000
#define BIT21     0x00200000
#define BIT22     0x00400000
#define BIT23     0x00800000
#define BIT24     0x01000000
#define BIT25     0x02000000
#define BIT26     0x04000000
#define BIT27     0x08000000
#define BIT28     0x10000000
#define BIT29     0x20000000
#define BIT30     0x40000000
#define BIT31     0x80000000

#endif // Lcd_h

```



```

// *****
// Include Files
// *****
#include "at91sam7x256.h"
#include "lcd.h"
#include "bmp.h"

// *****
// forward references
// *****
const unsigned char FONT6x8[97][8];
const unsigned char FONT8x8[97][8];
const unsigned char FONT8x16[97][16];
void InitLcd(void);
void Backlight(unsigned char state);
void WriteSpiCommand(unsigned int data);
void WriteSpiData(unsigned int data);
void InitLcd(void);
void LCDWrite130x130bmp(void);
void LCDClearScreen(void);
void LCDSetPixel(int x, int y, int color);
void LCDSetLine(int x1, int y1, int x2, int y2, int color);
void LCDSetRect(int x0, int y0, int x1, int y1, unsigned char fill, int color);
void LCDSetCircle(int x0, int y0, int radius, int color);
void LCDPutChar(char c, int x, int y, int size, int fcolor, int bcolor);
void LCDPutString(char *lcd_string, const char *font_style, unsigned char x, unsigned char y,
                  unsigned char fcolor, unsigned char bcolor);
void Delay(unsigned long a);

// *****
// Pointers to AT91SAM7X256 peripheral data structures
// *****
volatile AT91PS_PIO    pPIOA = AT91C_BASE_PIOA;
volatile AT91PS_PIO    pPIOB = AT91C_BASE_PIOB;
volatile AT91PS_SPI    pSPI  = AT91C_BASE_SPI0;
volatile AT91PS_PMC    pPMC  = AT91C_BASE_PMC;
volatile AT91PS_PDC    pPDC  = AT91C_BASE_PDC_SPI0;

// *****
//
//          InitSpi( )
//
// Sets up SPI channel 0 for communications to Nokia 6610 LCD Display
//
// I/O ports used: PA2 = LCD Reset (set to low to reset)
//                 PA12 = LCD chip select (set to low to select the LCD chip)
//                 PA16 = SPI0_MISO Master In - Slave Out (not used in LCD interface)
//                 PA17 = SPI0_MOSI Master Out - Slave In pin (Serial Data to LCD slave)
//                 PA18 = SPI0_SPCK Serial Clock (to LCD slave)
//                 PB20 = backlight control (normally PWM control, 1 = full on)
//
// Author: Olimex, James P Lynch      August 30, 2007
// *****
void InitSpi(void) {

// Pin PB20 used for LCD BL (backlight)
pPIOB->PIO_OER = BIT20; // Configure PB20 as output
pPIOB->PIO_SODR = BIT20; // Set PB20 to HIGH (backlight under PWM control - this will turn it full on)

// Pin PA2 used for LCD_RESET
pPIOA->PIO_OER = BIT2; // Configure PA2 as output
pPIOA->PIO_SODR = BIT2; // Set PA2 to HIGH (assert LCD Reset low then high to reset the controller)

// Pin PA2 used for CS_LCD (chip select)
pPIOA->PIO_OER = BIT12; // Configure PA12 as output
pPIOA->PIO_SODR = BIT12; // Set PA12 to HIGH (assert CS_LCD low to enable transmission)

// Disable the following pins from PIO control (will be used instead by the SPI0 peripheral)
// BIT12 = PA12 -> SPI0_NPCS0 chip select
// BIT16 = PA16 -> SPI0_MISO Master In - Slave Out (not used in LCD interface)
// BIT17 = PA17 -> SPI0_MOSI Master Out - Slave In pin (Serial Data to LCD slave)
// BIT18 = PA18 -> SPI0_SPCK Serial Clock (to LCD slave)
pPIOA->PIO_PDR = BIT12 | BIT16 | BIT17 | BIT18; // Peripheral A Disable Register (Disable PIO control of these 4 bits)
pPIOA->PIO_ASR = BIT12 | BIT16 | BIT17 | BIT18; // Peripheral A Select Register (all 4 bits are in PIOA)
pPIOA->PIO_BSR = 0; // Peripheral B Select Register (none of the bits are in PIOB)

//enable the SPI0 Peripheral clock
pPMC->PMC_PCER = 1 << AT91C_ID_SPI0;

```

```

// SPI Control Register SPI_CR
pSPI->SPI_CR = AT91C_SPI_SWRST | AT91C_SPI_SPIEN;           //Software reset, SPI Enable (0x81)
pSPI->SPI_CR = AT91C_SPI_SPIEN;                             //SPI Enable (0x01)

// SPI Mode Register SPI_MR = 0xE0011
pSPI->SPI_MR =
    (AT91C_SPI_DLYBCS & (0 << 24)) | // Delay between chip selects (take default: 6 MCK periods)
    (AT91C_SPI_PCS & (0xE << 16)) | // Peripheral Chip Select (selects SPI_NPCS0 or PA12)

    (AT91C_SPI_LLB & (0 << 7)) | // Local Loopback Enabled (disabled)
    (AT91C_SPI_MODFDIS & (1 << 4)) | // Mode Fault Detection (disabled)
    (AT91C_SPI_PCSDEC & (0 << 2)) | // Chip Select Decode (chip selects connected directly to peripheral)
    (AT91C_SPI_PS & (0 << 1)) | // Peripheral Select (fixed)
    (AT91C_SPI_MSTR & (1 << 0)); // Master/Slave Mode (Master)

// SPI Chip Select Register SPI_CSR[0] = 0x01010311
pSPI->SPI_CSR[0] =
    (AT91C_SPI_DLYBCT & (0x01 << 24)) | // Delay between Consecutive Transfers (32 MCK periods)
    (AT91C_SPI_DLYBS & (0x01 << 16)) | // Delay Before SPCK (1 MCK period)
    (AT91C_SPI_SCBR & (0x10 << 8)) | // Serial Clock Baud Rate (baudrate = MCK/8 = 48054841/8 = 6006855 baud)
    (AT91C_SPI_BITS & (AT91C_SPI_BITS_9)) | // Bits per Transfer (9 bits)
    (AT91C_SPI_CSAAT & (0x0 << 3)) | // Chip Select Active After Transfer (is active after xfer)/
    (AT91C_SPI_NCPHA & (0x0 << 1)) | // Clock Phase (data captured on falling edge)
    (AT91C_SPI_CPOL & (0x01 << 0)); // Clock Polarity (inactive state is logic one)
}

// *****
// WriteSpiCommand.c
//
// Writes 9-bit command to LCD display via SPI interface
//
// Inputs: data - Epson S1D15G00 controller/driver command
//
// Note: clears bit 8 to indicate command transfer
//
// Author: Olimex, James P Lynch August 30, 2007
// *****
void WriteSpiCommand(volatile unsigned int command) {
    // wait for the previous transfer to complete
    while((pSPI->SPI_SR & AT91C_SPI_TXEMPTY) == 0);

    // clear bit 8 - indicates a "command"
    command = (command & ~0x0100);

    // send the command
    pSPI->SPI_TDR = command;
}

// *****
// WriteSpiData.c
//
// Writes 9-bit command to LCD display via SPI interface
//
// Inputs: data - Epson S1D15G00 controller/driver command
//
// Note: Sets bit 8 to indicate data transfer
//
// Author: Olimex, James P Lynch August 30, 2007
// *****
void WriteSpiData(volatile unsigned int data) {
    // wait for the transfer to complete
    while((pSPI->SPI_SR & AT91C_SPI_TXEMPTY) == 0);

    // set bit 8, indicates "data"
    data = (data | 0x0100);

    // send the data
    pSPI->SPI_TDR = data;
}

```



```

// *****
//                               Backlight.c
//
// Turns the backlight on and off
//
// Inputs:      state - 1 = backlight on
//                               2 = backlight off
//
//
// Author:  Olimex, James P Lynch      August 30, 2007
// *****
void BackLight(unsigned char state) {
    if(state == 1)
        pPIOB->PIO_SODR = BIT20; // Set PB20 to HIGH
    else
        pPIOB->PIO_CODR = BIT20; // Set PB20 to LOW
}

// *****
//                               InitLcd.c
//
// Initializes the Epson S1D15G00 LCD Controller
//
// Inputs:      none
//
// Author:  James P Lynch      August 30, 2007
// *****
void InitLcd(void) {
    // Hardware reset
    LCD_RESET_LOW;
    Delay(10000);
    LCD_RESET_HIGH;
    Delay(10000);

    // Display control
    WriteSpiCommand(DISCTL);
    WriteSpiData(0x00); // P1: 0x00 = 2 divisions, switching period=8 (default)
    WriteSpiData(0x20); // P2: 0x20 = nlines/4 - 1 = 132/4 - 1 = 32)
    WriteSpiData(0x00); // P3: 0x00 = no inversely highlighted lines

    // COM scan
    WriteSpiCommand(COMSCN);
    WriteSpiData(1); // P1: 0x01 = Scan 1->80, 160<-81

    // Internal oscillator ON
    WriteSpiCommand(OSCON);

    // Sleep out
    WriteSpiCommand(SLPOUT);

    // Power control
    WriteSpiCommand(PWRCTR);
    WriteSpiData(0x0f); // reference voltage regulator on, circuit voltage follower on, BOOST ON

    // Inverse display
    WriteSpiCommand(DISINV);

    // Data control
    WriteSpiCommand(DATCTL);
    WriteSpiData(0x01); // P1: 0x01 = page address inverted, column address normal, address scan in column direction
    WriteSpiData(0x00); // P2: 0x00 = RGB sequence (default value)
    WriteSpiData(0x02); // P3: 0x02 = Grayscale -> 16 (selects 12-bit color, type A)

    // Voltage control (contrast setting)
    WriteSpiCommand(VOLCTR);
    WriteSpiData(32); // P1 = 32 volume value (experiment with this value to get the best contrast)
    WriteSpiData(3); // P2 = 3 resistance ratio (only value that works)

    // allow power supply to stabilize
    Delay(100000);

    // turn on the display
    WriteSpiCommand(DISON);
}

```



```

// *****
//                               LCDWrite130x130bmp.c
//
// Writes the entire screen from a bmp file
// Uses Olimex BmpToArray.exe utility
//
// Inputs:      picture in bmp.h
//
// Author:  Olimex, James P Lynch   August 30, 2007
// *****
void LCDWrite130x130bmp(void) {
    long          j;                // loop counter

    // Data control (need to set "normal" page address for Olimex photograph)
    WriteSpiCommand(DATCTL);
    WriteSpiData(0x00); // P1: 0x00 = page address normal, column address normal, address scan in column direction
    WriteSpiData(0x00); // P2: 0x00 = RGB sequence (default value)
    WriteSpiData(0x02); // P3: 0x02 = Grayscale -> 16

    // Display OFF
    WriteSpiCommand(DISOFF);

    // Column address set (command 0x2A)
    WriteSpiCommand(CASET);
    WriteSpiData(0);
    WriteSpiData(131);

    // Page address set (command 0x2B)
    WriteSpiCommand(PASET);
    WriteSpiData(0);
    WriteSpiData(131);

    // WRITE MEMORY
    WriteSpiCommand(RAMWR);

    for(j = 0; j < 25740; j++) {
        WriteSpiData(bmp[j]);
    }

    // Data control (return to "inverted" page address)
    WriteSpiCommand(DATCTL);
    WriteSpiData(0x01); // P1: 0x01 = page address inverted, column address normal, address scan in column direction
    WriteSpiData(0x00); // P2: 0x00 = RGB sequence (default value)
    WriteSpiData(0x02); // P3: 0x02 = Grayscale -> 16

    // Display On
    WriteSpiCommand(DISON);
}

// *****
//                               LCDClearScreen.c
//
// Clears the LCD screen to single color (BLACK)
//
// Inputs:      none
//
// Author:  James P Lynch   August 30, 2007
// *****
void LCDClearScreen(void) {
    long  i;                // loop counter

    // Row address set (command 0x2B)
    WriteSpiCommand(PASET);
    WriteSpiData(0);
    WriteSpiData(131);

    // Column address set (command 0x2A)
    WriteSpiCommand(CASET);
    WriteSpiData(0);
    WriteSpiData(131);

    // set the display memory to BLACK
    WriteSpiCommand(RAMWR);
    for(i = 0; i < ((131 * 131) / 2); i++) {
        WriteSpiData((BLACK >> 4) & 0xFF);
        WriteSpiData(((BLACK & 0xF) << 4) | ((BLACK >> 8) & 0xF));
        WriteSpiData(BLACK & 0xFF);
    }
}

```

```

// *****
//                               LCDSetPixel.c
//
// Lights a single pixel in the specified color at the specified x and y addresses
//
// Inputs:  x    = row address (0 .. 131)
//          y    = column address (0 .. 131)
//          color = 12-bit color value rrrrggggbbbb
//                rrrr = 1111 full red
//                :
//                0000 red is off
//
//                gggg = 1111 full green
//                :
//                0000 green is off
//
//                bbbb = 1111 full blue
//                :
//                0000 blue is off
//
// Returns:  nothing
//
// Note: see lcd.h for some sample color settings
//
// Author:   James P Lynch      August 30, 2007
// *****
void LCDSetPixel(int x, int y, int color) {
    // Row address set (command 0x2B)
    WriteSpiCommand(PASET);
    WriteSpiData(x);
    WriteSpiData(x);

    // Column address set (command 0x2A)
    WriteSpiCommand(CASET);
    WriteSpiData(y);
    WriteSpiData(y);

    // Now illuminate the pixel (2nd pixel will be ignored)
    WriteSpiCommand(RAMWR);
    WriteSpiData((color >> 4) & 0xFF);
    WriteSpiData(((color & 0xF) << 4) | ((color >> 8) & 0xF));
    WriteSpiData(color & 0xFF);
}

// *****
//                               LCDSetLine.c
//
// Draws a line in the specified color from (x0,y0) to (x1,y1)
//
// Inputs:  x    = row address (0 .. 131)
//          y    = column address (0 .. 131)
//          color = 12-bit color value rrrrggggbbbb
//                rrrr = 1111 full red
//                :
//                0000 red is off
//
//                gggg = 1111 full green
//                :
//                0000 green is off
//
//                bbbb = 1111 full blue
//                :
//                0000 blue is off
//
// Returns:  nothing
//
// Note: good write-up on this algorithm in Wikipedia (search for Bresenham's line algorithm)
//       see lcd.h for some sample color settings
//
// Authors:   Dr. Leonard McMillan, Associate Professor UNC
//            Jack Bresenham IBM, Winthrop University (Father of this algorithm, 1962)
//
// Note: taken verbatim from Professor McMillan's presentation:
//       http://www.cs.unc.edu/~mcmillan/comp136/Lecture6/Lines.html
// *****
void LCDSetLine(int x0, int y0, int x1, int y1, int color) {
    int dy = y1 - y0;
    int dx = x1 - x0;
    int stepx, stepy;

```

```

if (dy < 0) { dy = -dy; stepy = -1; } else { stepy = 1; }
if (dx < 0) { dx = -dx; stepx = -1; } else { stepx = 1; }
dy <= 1; // dy is now 2*dy
dx <= 1; // dx is now 2*dx

LCDSetPixel(x0, y0, color);
if (dx > dy) {
    int fraction = dy - (dx >> 1); // same as 2*dy - dx
    while (x0 != x1) {
        if (fraction >= 0) {
            y0 += stepy;
            fraction -= dx; // same as fraction -= 2*dx
        }
        x0 += stepx;
        fraction += dy; // same as fraction -= 2*dy
        LCDSetPixel(x0, y0, color);
    }
} else {
    int fraction = dx - (dy >> 1);
    while (y0 != y1) {
        if (fraction >= 0) {
            x0 += stepx;
            fraction -= dy;
        }
        y0 += stepy;
        fraction += dx;
        LCDSetPixel(x0, y0, color);
    }
}
}

// *****
// LCDSetRect.c
//
// Draws a rectangle in the specified color from (x1,y1) to (x2,y2)
// Rectangle can be filled with a color if desired
//
// Inputs:  x    = row address (0 .. 131)
//          y    = column address (0 .. 131)
//          fill = 0=no fill, 1-fill entire rectangle
//          color = 12-bit color value for lines rrrrggggbbbb
//              rrrr = 1111 full red
//              :
//              0000 red is off
//              gggg = 1111 full green
//              :
//              0000 green is off
//              bbbb = 1111 full blue
//              :
//              0000 blue is off
//
// Returns: nothing
//
// Notes:
//
// The best way to fill a rectangle is to take advantage of the "wrap-around" feature
// built into the Epson S1D15G00 controller. By defining a drawing box, the memory can
// be simply filled by successive memory writes until all pixels have been illuminated.
//
// 1. Given the coordinates of two opposing corners (x0, y0) (x1, y1)
// calculate the minimums and maximums of the coordinates
//
//     xmin = (x0 <= x1) ? x0 : x1;
//     xmax = (x0 > x1) ? x0 : x1;
//     ymin = (y0 <= y1) ? y0 : y1;
//     ymax = (y0 > y1) ? y0 : y1;
//
// 2. Now set up the drawing box to be the desired rectangle
//
//     WriteSpiCommand(PASET); // set the row boundaries
//     WriteSpiData(xmin);
//     WriteSpiData(xmax);
//     WriteSpiCommand(CASET); // set the column boundaries
//     WriteSpiData(ymin);
//     WriteSpiData(ymax);
//

```

```

//      3. Calculate the number of pixels to be written divided by 2
//
//      NumPixels = (((xmax - xmin + 1) * (ymax - ymin + 1)) / 2) + 1)
//
//      You may notice that I added one pixel to the formula.
//      This covers the case where the number of pixels is odd and we
//      would lose one pixel due to rounding error. In the case of
//      odd pixels, the number of pixels is exact.
//      in the case of even pixels, we have one more pixel than
//      needed, but it cannot be displayed because it is outside
//      the drawing box.
//
//      We divide by 2 because two pixels are represented by three bytes.
//      So we work through the rectangle two pixels at a time.
//
//      4. Now a simple memory write loop will fill the rectangle
//
//      for (i = 0; i < (((xmax - xmin + 1) * (ymax - ymin + 1)) / 2) + 1); i++) {
//          WriteSpiData((color >> 4) & 0xFF);
//          WriteSpiData(((color & 0xF) << 4) | ((color >> 8) & 0xF));
//          WriteSpiData(color & 0xFF);
//      }
//
//      In the case of an unfilled rectangle, drawing four lines with the Bresenham line
//      drawing algorithm is reasonably efficient.
//
//      Author: James P Lynch      August 30, 2007
//      *****
void LCDSetRect(int x0, int y0, int x1, int y1, unsigned char fill, int color) {
    int    xmin, xmax, ymin, ymax;
    int    i;

    // check if the rectangle is to be filled
    if (fill == FILL) {

        // best way to create a filled rectangle is to define a drawing box
        // and loop two pixels at a time

        // calculate the min and max for x and y directions
        xmin = (x0 <= x1) ? x0 : x1;
        xmax = (x0 > x1) ? x0 : x1;
        ymin = (y0 <= y1) ? y0 : y1;
        ymax = (y0 > y1) ? y0 : y1;

        // specify the controller drawing box according to those limits
        // Row address set (command 0x2B)
        WriteSpiCommand(PASET);
        WriteSpiData(xmin);
        WriteSpiData(xmax);

        // Column address set (command 0x2A)
        WriteSpiCommand(CASET);
        WriteSpiData(ymin);
        WriteSpiData(ymax);

        // WRITE MEMORY
        WriteSpiCommand(RAMWR);

        // loop on total number of pixels / 2
        for (i = 0; i < (((xmax - xmin + 1) * (ymax - ymin + 1)) / 2) + 130); i++) {

            // use the color value to output three data bytes covering two pixels
            WriteSpiData((color >> 4) & 0xFF);
            WriteSpiData(((color & 0xF) << 4) | ((color >> 8) & 0xF));
            WriteSpiData(color & 0xFF);
        }
    } else {

        // best way to draw an unfilled rectangle is to draw four lines
        LCDSetLine(x0, y0, x1, y0, color);
        LCDSetLine(x0, y1, x1, y1, color);
        LCDSetLine(x0, y0, x0, y1, color);
        LCDSetLine(x1, y0, x1, y1, color);
    }
}

```

```

// *****
//                               LCDSetCircle.c
//
//   Draws a line in the specified color at center (x0,y0) with radius
//
//   Inputs:  x0    = row address (0 .. 131)
//            y0    = column address (0 .. 131)
//            radius = radius in pixels
//            color  = 12-bit color value rrrrggggbbbb
//
//   Returns: nothing
//
//   Author:  Jack Bresenham IBM, Winthrop University (Father of this algorithm, 1962)
//
//   Note:    taken verbatim Wikipedia article on Bresenham's line algorithm
//            http://www.wikipedia.org
// *****

```

```

void LCDSetCircle(int x0, int y0, int radius, int color) {
    int f = 1 - radius;
    int ddF_x = 0;
    int ddF_y = -2 * radius;
    int x = 0;
    int y = radius;

    LCDSetPixel(x0, y0 + radius, color);
    LCDSetPixel(x0, y0 - radius, color);
    LCDSetPixel(x0 + radius, y0, color);
    LCDSetPixel(x0 - radius, y0, color);

    while(x < y) {
        if(f >= 0) {
            y--;
            ddF_y += 2;
            f += ddF_y;
        }
        x++;
        ddF_x += 2;
        f += ddF_x + 1;
        LCDSetPixel(x0 + x, y0 + y, color);
        LCDSetPixel(x0 - x, y0 + y, color);
        LCDSetPixel(x0 + x, y0 - y, color);
        LCDSetPixel(x0 - x, y0 - y, color);
        LCDSetPixel(x0 + y, y0 + x, color);
        LCDSetPixel(x0 - y, y0 + x, color);
        LCDSetPixel(x0 + y, y0 - x, color);
        LCDSetPixel(x0 - y, y0 - x, color);
    }
}

```

```

// *****
//                               LCDPutChar.c
//
//   Draws an ASCII character at the specified (x,y) address and color
//
//   Inputs:      c      = character to be displayed
//              x      = row address (0 .. 131)
//              y      = column address (0 .. 131)
//              size   = font pitch (SMALL, MEDIUM, LARGE)
//              fcolor  = 12-bit foreground color value   rrrrggggbbbb
//              bcolor  = 12-bit background color value  rrrrggggbbbb
//
//   Returns:    nothing
//
//   Notes:     Here's an example to display "E" at address (20,20)
//
//               LCDPutChar('E', 20, 20, MEDIUM, WHITE, BLACK);
//
//               (27,20)      (27,27)
//               |            |
//               v            v
//             ^  v          ^  v
//             :  # # # # #  0x7F
//             :  - # # - - #  0x31
//             :  - - # # # - -  0x34
//             x  - - # # # - -  0x3C
//             :  - - # # # - -  0x34
//             :  - - # # # - -  0x31
//             :  - # # # # # #  0x7F
//             :  ^ - - - - - ^  0x00
//             |            |
//             (20,20)      (20,27)
//
//             -----y----->
//

```



```

//
//      The most efficient way to display a character is to make use of the "wrap-around" feature
//      of the Epson S1D16G00 LCD controller chip.
//
//      Assume that we position the character at (20, 20) that's a (row, col) specification.
//      With the row and column address set commands, you can specify an 8x8 box for the SMALL and MEDIUM
//      characters or a 16x8 box for the LARGE characters.
//
//      WriteSpiCommand(PASET);          // set the row drawing limits
//      WriteSpiData(20);                //
//      WriteSpiData(27);                // limit rows to (20, 27)
//
//      WriteSpiCommand(CASET);          // set the column drawing limits
//      WriteSpiData(20);                //
//      WriteSpiData(27);                // limit columns to (20,27)
//
//      When the algorithm completes col 27, the column address wraps back to 20
//      At the same time, the row address increases by one (this is done by the controller)
//
//      We walk through each row, two pixels at a time. The purpose is to create three
//      data bytes representing these two pixels in the following format
//
//      Data for pixel 0: RRRRGGGGBBBB
//      Data for Pixel 1: RRRRGGGGBBBB
//
//      WriteSpiCommand(RAMWR);          // start a memory write (96 data bytes to follow)
//
//      WriteSpiData(RRRRGGGG);          // first pixel, red and green data
//      WriteSpiData(BBBBRRRR);          // first pixel, blue data; second pixel, red data
//      WriteSpiData(GGGGBBBB);          // second pixel, green and blue data
//      :
//      and so on until all pixels displayed!
//      :
//      WriteSpiCommand(NOP);            // this will terminate the RAMWR command
//
//
//      Author: James P Lynch      August 30, 2007
//      *****
void LCDPutChar(char c, int x, int y, int size, int fColor, int bColor) {

extern const unsigned char FONT6x8[97][8];
extern const unsigned char FONT8x8[97][8];
extern const unsigned char FONT8x16[97][16];

int i,j;
unsigned int nCols;
unsigned int nRows;
unsigned int nBytes;
unsigned char PixelRow;
unsigned char Mask;
unsigned int Word0;
unsigned int Word1;
unsigned char *pFont;
unsigned char *pChar;
unsigned char *FontTable[] = {(unsigned char *)FONT6x8, (unsigned char *)FONT8x8,
(unsigned char *)FONT8x16};

// get pointer to the beginning of the selected font table
pFont = (unsigned char *)FontTable[size];

// get the nColumns, nRows and nBytes
nCols = *pFont;
nRows = *(pFont + 1);
nBytes = *(pFont + 2);

// get pointer to the last byte of the desired character
pChar = pFont + (nBytes * (c - 0x1F)) + nBytes - 1;

// Row address set (command 0x2B)
WriteSpiCommand(PASET);
WriteSpiData(x);
WriteSpiData(x + nRows - 1);

// Column address set (command 0x2A)
WriteSpiCommand(CASET);
WriteSpiData(y);
WriteSpiData(y + nCols - 1);

```

```

// WRITE MEMORY
WriteSpiCommand(RAMWR);

// loop on each row, working backwards from the bottom to the top
for (i = nRows - 1; i >= 0; i--) {

    // copy pixel row from font table and then decrement row
    PixelRow = *pChar--;

    // loop on each pixel in the row (left to right)
    // Note: we do two pixels each loop
    Mask = 0x80;
    for (j = 0; j < nCols; j += 2) {

        // if pixel bit set, use foreground color; else use the background color
        // now get the pixel color for two successive pixels
        if ((PixelRow & Mask) == 0)
            Word0 = bColor;
        else
            Word0 = fColor;
        Mask = Mask >> 1;
        if ((PixelRow & Mask) == 0)
            Word1 = bColor;
        else
            Word1 = fColor;
        Mask = Mask >> 1;

        // use this information to output three data bytes
        WriteSpiData((Word0 >> 4) & 0xFF);
        WriteSpiData(((Word0 & 0xF) << 4) | ((Word1 >> 8) & 0xF));
        WriteSpiData(Word1 & 0xFF);
    }
}
// terminate the Write Memory command
WriteSpiCommand(NOP);
}

// *****
// LCDPutStr.c
// *****
// Draws a null-terminates character string at the specified (x,y) address, size and color
//
// Inputs:      pString = pointer to character string to be displayed
//             x       = row address (0 .. 131)
//             y       = column address (0 .. 131)
//             Size    = font pitch (SMALL, MEDIUM, LARGE)
//             fColor  = 12-bit foreground color value   rrrrggggbbbb
//             bColor  = 12-bit background color value  rrrrggggbbbb
//
// Returns:    nothing
//
// Notes:     Here's an example to display "Hello World!" at address (20,20)
//
//             LCDPutChar("Hello World!", 20, 20, LARGE, WHITE, BLACK);
//
// Author:    James P Lynch   August 30, 2007
// *****
void LCDPutStr(char *pString, int x, int y, int Size, int fColor, int bColor) {

    // loop until null-terminator is seen
    while (*pString != 0x00) {

        // draw the character
        LCDPutChar(*pString++, x, y, Size, fColor, bColor);

        // advance the y position
        if (Size == SMALL)
            y = y + 6;
        else if (Size == MEDIUM)
            y = y + 8;
        else
            y = y + 8;

        // bail out if y exceeds 131
        if (y > 131) break;
    }
}

```

```

// *****
//
//                               Delay.c
//
//                               Simple for loop delay
//
//                               Inputs: a - loop count
//
//                               Author: James P Lynch August 30, 2007
// *****
void Delay (unsigned long a) {
    while (--a!=0);
}

// *****
//
//                               Font tables for Nokia 6610 LCD Display Driver (S1D15G00 Controller)
//
//                               FONT6x8 - SMALL font (mostly 5x7)
//                               FONT8x8 - MEDIUM font (8x8 characters, a bit thicker)
//                               FONT8x16 - LARGE font (8x16 characters, thicker)
//
//                               Note: ASCII characters 0x00 through 0x1F are not included in these fonts.
//
//                               Author: Jim Parise, James P Lynch August 30, 2007
// *****
const unsigned char FONT6x8[97][8] = {

0x06,0x08,0x08,0x00,0x00,0x00,0x00,0x00, // columns, rows, num_bytes_per_char
0x00,0x00,0x00,0x00,0x00,0x00,0x00,0x00, // space 0x20
0x20,0x20,0x20,0x20,0x20,0x20,0x20,0x00, // !
0x50,0x50,0x50,0x00,0x00,0x00,0x00,0x00, // "
0x50,0x50,0xF8,0x50,0xF8,0x50,0x50,0x00, // #
0x20,0x78,0xA0,0x70,0x28,0xF0,0x20,0x00, // $
0xC0,0xC8,0x10,0x20,0x40,0x98,0x18,0x00, // %
0x40,0xA0,0xA0,0x40,0xA8,0x90,0x68,0x00, // &
0x30,0x30,0x20,0x40,0x00,0x00,0x00,0x00, // '
0x10,0x20,0x40,0x40,0x40,0x20,0x10,0x00, // (
0x40,0x20,0x10,0x10,0x10,0x20,0x40,0x00, // )
0x00,0x20,0xA8,0x70,0x70,0xA8,0x20,0x00, // *
0x00,0x20,0x20,0xF8,0x20,0x20,0x00,0x00, // +
0x00,0x00,0x00,0x00,0x30,0x30,0x20,0x40, // ,
0x00,0x00,0x00,0xF8,0x00,0x00,0x00,0x00, // -
0x00,0x00,0x00,0x00,0x00,0x30,0x30,0x00, // .
0x00,0x08,0x10,0x20,0x40,0x80,0x00,0x00, // / (forward slash)
0x70,0x88,0x88,0xA8,0x88,0x88,0x70,0x00, // 0 0x30
0x20,0x60,0x20,0x20,0x20,0x20,0x70,0x00, // 1
0x70,0x88,0x08,0x70,0x80,0x80,0xF8,0x00, // 2
0xF8,0x08,0x10,0x30,0x08,0x88,0x70,0x00, // 3
0x10,0x30,0x50,0x90,0xF8,0x10,0x10,0x00, // 4
0xF8,0x80,0xF0,0x08,0x08,0x88,0x70,0x00, // 5
0x38,0x40,0x80,0xF0,0x88,0x88,0x70,0x00, // 6
0xF8,0x08,0x08,0x10,0x20,0x40,0x80,0x00, // 7
0x70,0x88,0x88,0x70,0x88,0x88,0x70,0x00, // 8
0x70,0x88,0x88,0x78,0x08,0x10,0xE0,0x00, // 9
0x00,0x00,0x20,0x00,0x20,0x00,0x00,0x00, // :
0x00,0x00,0x20,0x00,0x20,0x20,0x40,0x00, // ;
0x08,0x10,0x20,0x40,0x20,0x10,0x08,0x00, // <
0x00,0x00,0xF8,0x00,0xF8,0x00,0x00,0x00, // =
0x40,0x20,0x10,0x08,0x10,0x20,0x40,0x00, // >
0x70,0x88,0x08,0x30,0x20,0x00,0x20,0x00, // ?
0x70,0x88,0xA8,0xB8,0xB0,0x80,0x78,0x00, // @ 0x40
0x20,0x50,0x88,0x88,0xF8,0x88,0x88,0x00, // A
0xF0,0x88,0x88,0xF0,0x88,0x88,0xF0,0x00, // B
0x70,0x88,0x80,0x80,0x80,0x88,0x70,0x00, // C
0xF0,0x88,0x88,0x88,0x88,0x88,0xF0,0x00, // D
0xF8,0x80,0x80,0xF0,0x80,0x80,0xF8,0x00, // E
0xF8,0x80,0x80,0xF0,0x80,0x80,0x80,0x00, // F
0x78,0x88,0x80,0x80,0x98,0x88,0x78,0x00, // G
0x88,0x88,0x88,0xF8,0x88,0x88,0x88,0x00, // H
0x70,0x20,0x20,0x20,0x20,0x20,0x70,0x00, // I
0x38,0x10,0x10,0x10,0x10,0x90,0x60,0x00, // J
0x88,0x90,0xA0,0xC0,0xA0,0x90,0x88,0x00, // K
0x80,0x80,0x80,0x80,0x80,0x80,0xF8,0x00, // L
0x88,0xD8,0xA8,0xA8,0xA8,0x88,0x88,0x00, // M
0x88,0x88,0xC8,0xA8,0x98,0x88,0x88,0x00, // N
0x70,0x88,0x88,0x88,0x88,0x88,0x70,0x00, // O
0xF0,0x88,0x88,0xF0,0x80,0x80,0x80,0x00, // P 0x50
0x70,0x88,0x88,0x88,0xA8,0x90,0x68,0x00, // Q
0xF0,0x88,0x88,0xF0,0xA0,0x90,0x88,0x00, // R
0x70,0x88,0x80,0x70,0x08,0x88,0x70,0x00, // S
0xF8,0xA8,0x20,0x20,0x20,0x20,0x20,0x00, // T
0x88,0x88,0x88,0x88,0x88,0x88,0x70,0x00, // U
0x88,0x88,0x88,0x88,0x88,0x50,0x20,0x00, // V

```



```

0x88,0x88,0x88,0xA8,0xA8,0xA8,0x50,0x00, // W
0x88,0x88,0x50,0x20,0x50,0x88,0x88,0x00, // X
0x88,0x88,0x50,0x20,0x20,0x20,0x20,0x00, // Y
0xF8,0x08,0x10,0x70,0x40,0x80,0xF8,0x00, // Z
0x78,0x40,0x40,0x40,0x40,0x40,0x78,0x00, // [
0x00,0x80,0x40,0x20,0x10,0x08,0x00,0x00, // \ (back slash)
0x78,0x08,0x08,0x08,0x08,0x08,0x78,0x00, // ]
0x20,0x50,0x88,0x00,0x00,0x00,0x00,0x00, // ^
0x00,0x00,0x00,0x00,0x00,0x00,0xF8,0x00, // _
0x60,0x60,0x20,0x10,0x00,0x00,0x00,0x00, // ` 0x60
0x00,0x00,0x60,0x10,0x70,0x90,0x78,0x00, // a
0x80,0x80,0xB0,0xC8,0x88,0xC8,0xB0,0x00, // b
0x00,0x00,0x70,0x88,0x80,0x88,0x70,0x00, // c
0x08,0x08,0x68,0x98,0x88,0x98,0x68,0x00, // d
0x00,0x00,0x70,0x88,0xF8,0x80,0x70,0x00, // e
0x10,0x28,0x20,0x70,0x20,0x20,0x20,0x00, // f
0x00,0x00,0x70,0x98,0x98,0x68,0x08,0x70, // g
0x80,0x80,0xB0,0xC8,0x88,0x88,0x88,0x00, // h
0x20,0x00,0x60,0x20,0x20,0x20,0x70,0x00, // i
0x10,0x00,0x10,0x10,0x10,0x90,0x60,0x00, // j
0x80,0x80,0x90,0xA0,0xC0,0xA0,0x90,0x00, // k
0x60,0x20,0x20,0x20,0x20,0x20,0x70,0x00, // l
0x00,0x00,0xD0,0xA8,0xA8,0xA8,0xA8,0x00, // m
0x00,0x00,0xB0,0xC8,0x88,0x88,0x88,0x00, // n
0x00,0x00,0x70,0x88,0x88,0x88,0x70,0x00, // o
0x00,0x00,0xB0,0xC8,0xC8,0xB0,0x80,0x80, // p 0x70
0x00,0x00,0x68,0x98,0x98,0x68,0x08,0x08, // q
0x00,0x00,0xB0,0xC8,0x80,0x80,0x80,0x00, // r
0x00,0x00,0x78,0x80,0x70,0x08,0xF0,0x00, // s
0x20,0x20,0xF8,0x20,0x20,0x28,0x10,0x00, // t
0x00,0x00,0x88,0x88,0x88,0x98,0x68,0x00, // u
0x00,0x00,0x88,0x88,0x88,0x50,0x20,0x00, // v
0x00,0x00,0x88,0x88,0xA8,0xA8,0x50,0x00, // w
0x00,0x00,0x88,0x50,0x20,0x50,0x88,0x00, // x
0x00,0x00,0x88,0x88,0x78,0x08,0x88,0x70, // y
0x00,0x00,0xF8,0x10,0x20,0x40,0xF8,0x00, // z
0x10,0x20,0x20,0x40,0x20,0x20,0x10,0x00, // {
0x20,0x20,0x20,0x00,0x20,0x20,0x20,0x00, // |
0x40,0x20,0x20,0x10,0x20,0x20,0x40,0x00, // }
0x40,0xA8,0x10,0x00,0x00,0x00,0x00,0x00, // ~
0x70,0xD8,0xD8,0x70,0x00,0x00,0x00,0x00}; // DEL

```

```

const unsigned char FONT8x8[97][8] = {
0x08,0x08,0x08,0x00,0x00,0x00,0x00,0x00, // columns, rows, num_bytes_per_char
0x00,0x00,0x00,0x00,0x00,0x00,0x00,0x00, // space 0x20
0x30,0x78,0x78,0x30,0x30,0x00,0x30,0x00, // !
0x6C,0x6C,0x6C,0x00,0x00,0x00,0x00,0x00, // "
0x6C,0x6C,0xFE,0x6C,0xFE,0x6C,0x6C,0x00, // #
0x18,0x3E,0x60,0x3C,0x06,0x7C,0x18,0x00, // $
0x00,0x63,0x66,0x0C,0x18,0x33,0x63,0x00, // %
0x1C,0x36,0x1C,0x3B,0x6E,0x66,0x3B,0x00, // &
0x30,0x30,0x60,0x00,0x00,0x00,0x00,0x00, // '
0x0C,0x18,0x30,0x30,0x30,0x18,0x0C,0x00, // (
0x30,0x18,0x0C,0x0C,0x0C,0x18,0x30,0x00, // )
0x00,0x66,0x3C,0xFF,0x3C,0x66,0x00,0x00, // *
0x00,0x30,0x30,0xFC,0x30,0x30,0x00,0x00, // +
0x00,0x00,0x00,0x00,0x00,0x18,0x18,0x30, // ,
0x00,0x00,0x00,0x7E,0x00,0x00,0x00,0x00, // -
0x00,0x00,0x00,0x00,0x00,0x18,0x18,0x00, // .
0x03,0x06,0x0C,0x18,0x30,0x60,0x40,0x00, // / (forward slash)
0x3E,0x63,0x63,0x6B,0x63,0x63,0x3E,0x00, // 0 0x30
0x18,0x38,0x58,0x18,0x18,0x18,0x7E,0x00, // 1
0x3C,0x66,0x06,0x1C,0x30,0x66,0x7E,0x00, // 2
0x3C,0x66,0x06,0x1C,0x06,0x66,0x3C,0x00, // 3
0x0E,0x1E,0x36,0x66,0x7F,0x06,0x0F,0x00, // 4
0x7E,0x60,0x7C,0x06,0x06,0x66,0x3C,0x00, // 5
0x1C,0x30,0x60,0x7C,0x66,0x66,0x3C,0x00, // 6
0x7E,0x66,0x06,0x0C,0x18,0x18,0x18,0x00, // 7
0x3C,0x66,0x66,0x3C,0x66,0x66,0x3C,0x00, // 8
0x3C,0x66,0x66,0x3E,0x06,0x0C,0x38,0x00, // 9
0x00,0x18,0x18,0x00,0x00,0x18,0x18,0x00, // :
0x00,0x18,0x18,0x00,0x00,0x18,0x18,0x30, // ;
0x0C,0x18,0x30,0x60,0x30,0x18,0x0C,0x00, // <
0x00,0x00,0x7E,0x00,0x00,0x7E,0x00,0x00, // =
0x30,0x18,0x0C,0x06,0x0C,0x18,0x30,0x00, // >
0x3C,0x66,0x06,0x0C,0x18,0x00,0x18,0x00, // ?
0x3E,0x63,0x6F,0x69,0x6F,0x60,0x3E,0x00, // @ 0x40
0x18,0x3C,0x66,0x66,0x7E,0x66,0x66,0x00, // A
0x7E,0x33,0x33,0x3E,0x33,0x33,0x7E,0x00, // B
0x1E,0x33,0x60,0x60,0x60,0x33,0x1E,0x00, // C

```

```

0x7C,0x36,0x33,0x33,0x33,0x36,0x7C,0x00, // D
0x7F,0x31,0x34,0x3C,0x34,0x31,0x7F,0x00, // E
0x7F,0x31,0x34,0x3C,0x34,0x30,0x78,0x00, // F
0x1E,0x33,0x60,0x60,0x67,0x33,0x1F,0x00, // G
0x66,0x66,0x66,0x7E,0x66,0x66,0x66,0x00, // H
0x3C,0x18,0x18,0x18,0x18,0x18,0x3C,0x00, // I
0x0F,0x06,0x06,0x06,0x66,0x66,0x3C,0x00, // J
0x73,0x33,0x36,0x3C,0x36,0x33,0x73,0x00, // K
0x78,0x30,0x30,0x30,0x31,0x33,0x7F,0x00, // L
0x63,0x77,0x7F,0x7F,0x6B,0x63,0x63,0x00, // M
0x63,0x73,0x7B,0x6F,0x67,0x63,0x63,0x00, // N
0x3E,0x63,0x63,0x63,0x63,0x63,0x3E,0x00, // O
0x7E,0x33,0x33,0x3E,0x30,0x30,0x78,0x00, // P
0x3C,0x66,0x66,0x66,0x6E,0x3C,0x0E,0x00, // Q
0x7E,0x33,0x33,0x3E,0x36,0x33,0x73,0x00, // R
0x3C,0x66,0x30,0x18,0x0C,0x66,0x3C,0x00, // S
0x7E,0x5A,0x18,0x18,0x18,0x18,0x3C,0x00, // T
0x66,0x66,0x66,0x66,0x66,0x66,0x7E,0x00, // U
0x66,0x66,0x66,0x66,0x66,0x3C,0x18,0x00, // V
0x63,0x63,0x63,0x6B,0x7F,0x77,0x63,0x00, // W
0x63,0x63,0x36,0x1C,0x1C,0x36,0x63,0x00, // X
0x66,0x66,0x66,0x3C,0x18,0x18,0x3C,0x00, // Y
0x7F,0x63,0x46,0x0C,0x19,0x33,0x7F,0x00, // Z
0x3C,0x30,0x30,0x30,0x30,0x30,0x3C,0x00, // [
0x60,0x30,0x18,0x0C,0x06,0x03,0x01,0x00, // \ (back slash)
0x3C,0x0C,0x0C,0x0C,0x0C,0x0C,0x3C,0x00, // ]
0x08,0x1C,0x36,0x63,0x00,0x00,0x00,0x00, // ^
0x00,0x00,0x00,0x00,0x00,0x00,0x00,0xFF, // _
0x18,0x18,0x0C,0x00,0x00,0x00,0x00,0x00, // `
0x00,0x00,0x3C,0x06,0x3E,0x66,0x3B,0x00, // a
0x70,0x30,0x3E,0x33,0x33,0x33,0x6E,0x00, // b
0x00,0x00,0x3C,0x66,0x60,0x66,0x3C,0x00, // c
0x0E,0x06,0x3E,0x66,0x66,0x66,0x3B,0x00, // d
0x00,0x00,0x3C,0x66,0x7E,0x60,0x3C,0x00, // e
0x1C,0x36,0x30,0x78,0x30,0x30,0x78,0x00, // f
0x00,0x00,0x3B,0x66,0x66,0x3E,0x06,0x7C, // g
0x70,0x30,0x36,0x3B,0x33,0x33,0x73,0x00, // h
0x18,0x00,0x38,0x18,0x18,0x18,0x3C,0x00, // i
0x06,0x00,0x06,0x06,0x06,0x66,0x66,0x3C, // j
0x70,0x30,0x33,0x36,0x3C,0x36,0x73,0x00, // k
0x38,0x18,0x18,0x18,0x18,0x18,0x3C,0x00, // l
0x00,0x00,0x66,0x7F,0x7F,0x6B,0x63,0x00, // m
0x00,0x00,0x7C,0x66,0x66,0x66,0x66,0x00, // n
0x00,0x00,0x3C,0x66,0x66,0x66,0x3C,0x00, // o
0x00,0x00,0x6E,0x33,0x33,0x3E,0x30,0x78, // p
0x00,0x00,0x3B,0x66,0x66,0x3E,0x06,0x0F, // q
0x00,0x00,0x6E,0x3B,0x33,0x30,0x78,0x00, // r
0x00,0x00,0x3E,0x60,0x3C,0x06,0x7C,0x00, // s
0x08,0x18,0x3E,0x18,0x18,0x1A,0x0C,0x00, // t
0x00,0x00,0x66,0x66,0x66,0x66,0x3B,0x00, // u
0x00,0x00,0x66,0x66,0x66,0x3C,0x18,0x00, // v
0x00,0x00,0x63,0x6B,0x7F,0x7F,0x36,0x00, // w
0x00,0x00,0x63,0x36,0x1C,0x36,0x63,0x00, // x
0x00,0x00,0x66,0x66,0x66,0x3E,0x06,0x7C, // y
0x00,0x00,0x7E,0x4C,0x18,0x32,0x7E,0x00, // z
0x0E,0x18,0x18,0x70,0x18,0x18,0x0E,0x00, // {
0x0C,0x0C,0x0C,0x0C,0x0C,0x0C,0x0C,0x00, // |
0x70,0x18,0x18,0x0E,0x18,0x18,0x70,0x00, // }
0x3B,0x6E,0x00,0x00,0x00,0x00,0x00, // ~
0x1C,0x36,0x36,0x1C,0x00,0x00,0x00,0x00}; // DEL

```

```
const unsigned char FONT8x16[97][16] = {
```

```

0x08,0x10,0x10,0x00,0x00,0x00,0x00,0x00,0x00,0x00,0x00,0x00,0x00,0x00,0x00,0x00, // columns, rows, num_bytes_per_char
0x00,0x00,0x00,0x00,0x00,0x00,0x00,0x00,0x00,0x00,0x00,0x00,0x00,0x00,0x00,0x00, // space 0x20
0x00,0x00,0x18,0x3C,0x3C,0x3C,0x18,0x18,0x18,0x00,0x18,0x18,0x00,0x00,0x00,0x00, // !
0x00,0x63,0x63,0x63,0x22,0x00,0x00,0x00,0x00,0x00,0x00,0x00,0x00,0x00,0x00,0x00, // "
0x00,0x00,0x00,0x36,0x36,0x7F,0x36,0x36,0x36,0x7F,0x36,0x36,0x00,0x00,0x00,0x00, // #
0x0C,0x0C,0x3E,0x63,0x61,0x60,0x3E,0x03,0x03,0x43,0x63,0x3E,0x0C,0x0C,0x00,0x00, // $
0x00,0x00,0x00,0x00,0x00,0x00,0x61,0x63,0x06,0x0C,0x18,0x33,0x63,0x00,0x00,0x00,0x00, // %
0x00,0x00,0x00,0x1C,0x36,0x36,0x1C,0x3B,0x6E,0x66,0x66,0x3B,0x00,0x00,0x00,0x00, // &
0x00,0x30,0x30,0x30,0x60,0x00,0x00,0x00,0x00,0x00,0x00,0x00,0x00,0x00,0x00,0x00, // '
0x00,0x00,0x0C,0x18,0x18,0x30,0x30,0x30,0x30,0x18,0x18,0x0C,0x00,0x00,0x00,0x00, // (
0x00,0x00,0x18,0x0C,0x0C,0x06,0x06,0x06,0x06,0x0C,0x0C,0x18,0x00,0x00,0x00,0x00, // )
0x00,0x00,0x00,0x00,0x42,0x66,0x3C,0xFF,0x3C,0x66,0x42,0x00,0x00,0x00,0x00,0x00, // *
0x00,0x00,0x00,0x00,0x18,0x18,0x18,0xFF,0x18,0x18,0x18,0x00,0x00,0x00,0x00,0x00, // +
0x00,0x00,0x00,0x00,0x00,0x00,0x00,0x00,0x00,0x00,0x18,0x18,0x18,0x30,0x00,0x00, // ,
0x00,0x00,0x00,0x00,0x00,0x00,0x00,0xFF,0x00,0x00,0x00,0x00,0x00,0x00,0x00,0x00, // -
0x00,0x00,0x00,0x00,0x00,0x00,0x00,0x00,0x00,0x00,0x18,0x18,0x00,0x00,0x00,0x00, // .
0x00,0x00,0x01,0x03,0x07,0x0E,0x1C,0x38,0x70,0xE0,0xC0,0x80,0x00,0x00,0x00,0x00, // / (forward slash)
0x00,0x00,0x3E,0x63,0x63,0x63,0x6B,0x6B,0x63,0x63,0x63,0x30,0x00,0x00,0x00,0x00, // 0
0x00,0x00,0x0C,0x1C,0x3C,0x0C,0x0C,0x0C,0x0C,0x0C,0x3F,0x00,0x00,0x00,0x00, // 1
0x00,0x00,0x3E,0x63,0x03,0x06,0x0C,0x18,0x30,0x61,0x63,0x7F,0x00,0x00,0x00,0x00, // 2
0x00,0x00,0x3E,0x63,0x03,0x03,0x1E,0x03,0x03,0x03,0x63,0x3E,0x00,0x00,0x00,0x00, // 3

```



```

0x00,0x00,0x06,0x0E,0x1E,0x36,0x66,0x66,0x7F,0x06,0x06,0x0F,0x00,0x00,0x00,0x00, // 4
0x00,0x00,0x7F,0x60,0x60,0x60,0x7E,0x03,0x03,0x63,0x73,0x3E,0x00,0x00,0x00,0x00, // 5
0x00,0x00,0x1C,0x30,0x60,0x60,0x7E,0x63,0x63,0x63,0x63,0x3E,0x00,0x00,0x00,0x00, // 6
0x00,0x00,0x7F,0x63,0x03,0x06,0x06,0x0C,0x0C,0x18,0x18,0x18,0x00,0x00,0x00,0x00, // 7
0x00,0x00,0x3E,0x63,0x63,0x63,0x63,0x3E,0x63,0x63,0x63,0x3E,0x00,0x00,0x00,0x00, // 8
0x00,0x00,0x3E,0x63,0x63,0x63,0x63,0x3F,0x03,0x03,0x06,0x3C,0x00,0x00,0x00,0x00, // 9
0x00,0x00,0x00,0x00,0x00,0x18,0x18,0x00,0x00,0x00,0x18,0x18,0x00,0x00,0x00,0x00, // :
0x00,0x00,0x00,0x00,0x00,0x18,0x18,0x00,0x00,0x00,0x18,0x18,0x18,0x18,0x30,0x00,0x00, // ;
0x00,0x00,0x00,0x06,0x0C,0x18,0x30,0x60,0x30,0x18,0x0C,0x06,0x00,0x00,0x00,0x00, // <
0x00,0x00,0x00,0x00,0x00,0x00,0x7E,0x00,0x00,0x7E,0x00,0x00,0x00,0x00,0x00,0x00, // =
0x00,0x00,0x00,0x00,0x00,0x0C,0x0C,0x0C,0x0C,0x0C,0x0C,0x0C,0x0C,0x00,0x00,0x00,0x00, // ?
0x00,0x00,0x3E,0x63,0x63,0x6F,0x6B,0x6B,0x6E,0x60,0x60,0x3E,0x00,0x00,0x00,0x00, // @
0x00,0x00,0x08,0x1C,0x36,0x63,0x63,0x63,0x63,0x7F,0x63,0x63,0x63,0x00,0x00,0x00,0x00, // A
0x00,0x00,0x7E,0x33,0x33,0x33,0x3E,0x33,0x33,0x33,0x33,0x7E,0x00,0x00,0x00,0x00, // B
0x00,0x00,0x1E,0x33,0x61,0x60,0x60,0x60,0x60,0x61,0x33,0x1E,0x00,0x00,0x00,0x00, // C
0x00,0x00,0x7C,0x36,0x33,0x33,0x33,0x33,0x33,0x33,0x36,0x7C,0x00,0x00,0x00,0x00, // D
0x00,0x00,0x7F,0x33,0x31,0x34,0x3C,0x34,0x30,0x31,0x33,0x7F,0x00,0x00,0x00,0x00, // E
0x00,0x00,0x7F,0x33,0x31,0x34,0x3C,0x34,0x30,0x30,0x30,0x78,0x00,0x00,0x00,0x00, // F
0x00,0x00,0x1E,0x33,0x61,0x60,0x60,0x6F,0x63,0x63,0x37,0x1D,0x00,0x00,0x00,0x00, // G
0x00,0x00,0x63,0x63,0x63,0x63,0x7F,0x63,0x63,0x63,0x63,0x63,0x00,0x00,0x00,0x00, // H
0x00,0x00,0x3C,0x18,0x18,0x18,0x18,0x18,0x18,0x18,0x18,0x3C,0x00,0x00,0x00,0x00, // I
0x00,0x00,0x0F,0x06,0x06,0x06,0x06,0x06,0x06,0x66,0x3C,0x00,0x00,0x00,0x00, // J
0x00,0x00,0x73,0x33,0x36,0x36,0x36,0x36,0x36,0x36,0x33,0x73,0x00,0x00,0x00,0x00, // K
0x00,0x00,0x78,0x30,0x30,0x30,0x30,0x30,0x30,0x31,0x33,0x7F,0x00,0x00,0x00,0x00, // L
0x00,0x00,0x63,0x77,0x7F,0x6B,0x63,0x63,0x63,0x63,0x63,0x63,0x00,0x00,0x00,0x00, // M
0x00,0x00,0x63,0x63,0x73,0x7B,0x7F,0x6F,0x67,0x63,0x63,0x63,0x00,0x00,0x00,0x00, // N
0x00,0x00,0x1C,0x36,0x63,0x63,0x63,0x63,0x63,0x63,0x63,0x36,0x1C,0x00,0x00,0x00,0x00, // O
0x00,0x00,0x7E,0x33,0x33,0x33,0x3E,0x30,0x30,0x30,0x30,0x78,0x00,0x00,0x00,0x00, // P
0x00,0x00,0x3E,0x63,0x63,0x63,0x63,0x63,0x63,0x6B,0x6F,0x3E,0x06,0x07,0x00,0x00,0x00, // Q
0x00,0x00,0x7E,0x33,0x33,0x33,0x3E,0x36,0x36,0x33,0x33,0x73,0x00,0x00,0x00,0x00, // R
0x00,0x00,0x3E,0x63,0x63,0x30,0x1C,0x06,0x03,0x63,0x63,0x3E,0x00,0x00,0x00,0x00, // S
0x00,0x00,0xFF,0xDB,0x99,0x18,0x18,0x18,0x18,0x18,0x18,0x3C,0x00,0x00,0x00,0x00, // T
0x00,0x00,0x63,0x63,0x63,0x63,0x63,0x63,0x63,0x63,0x63,0x3E,0x00,0x00,0x00,0x00, // U
0x00,0x00,0x63,0x63,0x63,0x63,0x63,0x63,0x63,0x36,0x1C,0x08,0x00,0x00,0x00,0x00, // V
0x00,0x00,0x63,0x63,0x63,0x63,0x63,0x6B,0x6B,0x7F,0x36,0x36,0x00,0x00,0x00,0x00, // W
0x00,0x00,0xC3,0xC3,0x66,0x3C,0x18,0x18,0x3C,0x66,0xC3,0xC3,0x00,0x00,0x00,0x00, // X
0x00,0x00,0xC3,0xC3,0xC3,0x66,0x3C,0x18,0x18,0x18,0x18,0x3C,0x00,0x00,0x00,0x00, // Y
0x00,0x00,0x7F,0x63,0x43,0x06,0x0C,0x18,0x30,0x61,0x63,0x7F,0x00,0x00,0x00,0x00, // Z
0x00,0x00,0x3C,0x30,0x30,0x30,0x30,0x30,0x30,0x30,0x30,0x3C,0x00,0x00,0x00,0x00, // [
0x00,0x00,0x80,0xC0,0xE0,0x70,0x38,0x1C,0x0E,0x07,0x03,0x01,0x00,0x00,0x00,0x00, // \ (back slash)
0x00,0x00,0x3C,0x0C,0x0C,0x0C,0x0C,0x0C,0x0C,0x0C,0x0C,0x0C,0x00,0x00,0x00,0x00, // ]
0x00,0x00,0x1C,0x36,0x63,0x00,0x00,0x00,0x00,0x00,0x00,0x00,0x00,0x00,0x00,0x00, // ^
0x00,0x00,0x00,0x00,0x00,0x00,0x00,0x00,0x00,0x00,0x00,0x00,0xFF,0x00,0x00,0x00, // _
0x18,0x18,0x0C,0x00,0x00,0x00,0x00,0x00,0x00,0x00,0x00,0x00,0x00,0x00,0x00, // `
0x00,0x00,0x00,0x00,0x00,0x3C,0x46,0x06,0x3E,0x66,0x66,0x3B,0x00,0x00,0x00,0x00, // a
0x00,0x00,0x70,0x30,0x30,0x3C,0x36,0x33,0x33,0x33,0x33,0x6E,0x00,0x00,0x00,0x00, // b
0x00,0x00,0x00,0x00,0x00,0x00,0x3E,0x60,0x60,0x60,0x60,0x60,0x3E,0x00,0x00,0x00, // c
0x00,0x00,0x0E,0x06,0x06,0x1E,0x36,0x66,0x66,0x66,0x66,0x3B,0x00,0x00,0x00,0x00, // d
0x00,0x00,0x00,0x00,0x00,0x3E,0x63,0x63,0x7E,0x60,0x63,0x3E,0x00,0x00,0x00,0x00, // e
0x00,0x00,0x1C,0x36,0x32,0x30,0x7C,0x30,0x30,0x30,0x30,0x78,0x00,0x00,0x00,0x00, // f
0x00,0x00,0x00,0x00,0x00,0x3B,0x66,0x66,0x66,0x66,0x3E,0x06,0x66,0x3C,0x00,0x00, // g
0x00,0x00,0x70,0x30,0x30,0x36,0x3B,0x33,0x33,0x33,0x33,0x73,0x00,0x00,0x00,0x00, // h
0x00,0x00,0x0C,0x0C,0x00,0x1C,0x0C,0x0C,0x0C,0x0C,0x0C,0x1E,0x00,0x00,0x00,0x00, // i
0x00,0x00,0x06,0x06,0x00,0x0E,0x06,0x06,0x06,0x06,0x06,0x66,0x66,0x3C,0x00,0x00, // j
0x00,0x00,0x70,0x30,0x30,0x33,0x33,0x36,0x3C,0x36,0x33,0x73,0x00,0x00,0x00,0x00, // k
0x00,0x00,0x1C,0x0C,0x0C,0x0C,0x0C,0x0C,0x0C,0x0C,0x0C,0x1E,0x00,0x00,0x00,0x00, // l
0x00,0x00,0x00,0x00,0x00,0x06,0x7F,0x6B,0x6B,0x6B,0x6B,0x6B,0x00,0x00,0x00,0x00, // m
0x00,0x00,0x00,0x00,0x00,0x6E,0x33,0x33,0x33,0x33,0x33,0x33,0x00,0x00,0x00,0x00, // n
0x00,0x00,0x00,0x00,0x00,0x3E,0x63,0x63,0x63,0x63,0x63,0x3E,0x00,0x00,0x00,0x00, // o
0x00,0x00,0x00,0x00,0x00,0x6E,0x33,0x33,0x33,0x33,0x33,0x30,0x30,0x78,0x00,0x00, // p
0x00,0x00,0x00,0x00,0x00,0x3B,0x66,0x66,0x66,0x66,0x3E,0x06,0x06,0x0F,0x00,0x00, // q
0x00,0x00,0x00,0x00,0x00,0x6E,0x3B,0x33,0x30,0x30,0x30,0x78,0x00,0x00,0x00,0x00, // r
0x00,0x00,0x00,0x00,0x00,0x3E,0x63,0x38,0x0E,0x03,0x38,0x3E,0x00,0x00,0x00,0x00, // s
0x00,0x00,0x08,0x18,0x18,0x7E,0x18,0x18,0x18,0x18,0x1B,0x0E,0x00,0x00,0x00,0x00, // t
0x00,0x00,0x00,0x00,0x00,0x66,0x66,0x66,0x66,0x66,0x66,0x3B,0x00,0x00,0x00,0x00, // u
0x00,0x00,0x00,0x00,0x00,0x63,0x63,0x63,0x63,0x36,0x1C,0x1C,0x08,0x00,0x00,0x00,0x00, // v
0x00,0x00,0x00,0x00,0x00,0x63,0x63,0x63,0x6B,0x6B,0x7F,0x36,0x00,0x00,0x00,0x00, // w
0x00,0x00,0x00,0x00,0x00,0x63,0x36,0x1C,0x1C,0x1C,0x36,0x63,0x00,0x00,0x00,0x00, // x
0x00,0x00,0x00,0x00,0x00,0x63,0x63,0x63,0x63,0x63,0x3F,0x03,0x06,0x3C,0x00,0x00, // y
0x00,0x00,0x00,0x00,0x00,0x7F,0x66,0x0C,0x18,0x30,0x63,0x7F,0x00,0x00,0x00,0x00, // z
0x00,0x00,0x0E,0x18,0x18,0x18,0x70,0x18,0x18,0x18,0x18,0x0E,0x00,0x00,0x00,0x00, // {
0x00,0x00,0x18,0x18,0x18,0x18,0x18,0x00,0x18,0x18,0x18,0x18,0x00,0x00,0x00,0x00, // |
0x00,0x00,0x70,0x18,0x18,0x18,0x0E,0x18,0x18,0x18,0x18,0x70,0x00,0x00,0x00,0x00, // }
0x00,0x00,0x3B,0x6E,0x00,0x00,0x00,0x00,0x00,0x00,0x00,0x00,0x00,0x00,0x00, // ~
0x00,0x70,0xD8,0xD8,0x70,0x00,0x00,0x00,0x00,0x00,0x00,0x00,0x00,0x00,0x00,0x00, // DEL

```

Sample Main Program Test Routine

The following is a simple main program that exercises every one of the LCD graphics primitives. It works with the driver code for either the Philips controller or the Epson controller. After the tests have been completed, the main program falls into an endless blink loop. Since the SAM7-EX256 board has no user-programmable LED, the author added one as shown in the program's annotation (you could remove the LED code if you like).

```
// *****
//
//                               main.c
//
//   Nokia 6610 LCD demonstration program for Olimex SAM7-EX256 Evaluation Board
//
//   Performs a series of tests of the LCD driver.
//
//   When tests are complete, blinks LED4 (pin PA3) with an endless loop
//   PA3 is pin 1 on the EXT 20-pin connector (3.3v is pin 18)
//
//   The Olimex SAM7-EX256 board has no programmable LEDs.
//   Added a simple test LED from Radio Shack as shown below (attached to the 20-pin EXT connector.)
//
//           3.3 volts |-----|                anode |----|                PA3
//           EXT 0-----| 470 ohm |-----| LED |-----| 0 EXT
//           Pin 18    |-----|                |----| cathode         pin 1
//
//                               Radio Shack Red LED
//                               276-026 T-1 size (anode is the longer wire)
//
//   LED current:  $I = E/R = 3.3/470 = .007$  amps = 7 ma
//   Note: most PIO pins can drive 8 ma on the AT91SAM7X256, so we're OK
//
//
//
//   Author: James P Lynch July 7, 2007
// *****
// *****
//                               Header Files
// *****
#include "AT91SAM7X256.h"
#include "lcd.h"
#include "board.h"
// *****
//                               External References
// *****
extern void LowLevelInit(void);

int main (void) {

    unsigned long j;
    unsigned long k;
    unsigned long col;
    unsigned long row;
    unsigned int IdleCount = 0;
    int TempColor[11] = { WHITE, BLACK, RED, GREEN, BLUE, CYAN, MAGENTA,
                        YELLOW, BROWN, ORANGE, PINK };
    char *TempChar[11] = { "White", "Black", "Red", "Green", "Blue", "Cyan",
                        "Magenta", "Yellow", "Brown", "Orange", "Pink" };

    // Initialize the Atmel AT91SAM7S256 (watchdog, PLL clock, default interrupts, etc.)
    LowLevelInit();

    // Set up the LED (PA3)
    volatile AT91PS_PIO pPIO = AT91C_BASE_PIOA; // pointer to PIO data structure

    pPIO->PIO_PER = LED_MASK; // PIO Enable Register - allow PIO to control pin PP3
    pPIO->PIO_OER = LED_MASK; // PIO Output Enable Register - sets pin P3 to outputs
    pPIO->PIO_SODR = LED_MASK; // PIO Set Output Data Register - turns off the LED
}
```

```

// Initialize SPI interface to LCD
InitSpi();

// Init LCD
InitLcd();

// clear the screen
LCDClearScreen();

// *****
// * color test - show boxes of different colors
// *****

for (j = 0; j < 11; j++) {
    // draw a filled box
    LCDSetRect(120, 10, 25, 120, FILL, TempColor[j]);

    // label the color
    LCDPutStr(" ", 5, 40, LARGE, BLACK, BLACK);
    LCDPutStr(TempChar[j], 5, 40, LARGE, YELLOW, BLACK);

    // wait a bit
    Delay(2000000);
}

// *****
// * character and line tests - draw lines, strings, etc.
// *****

// clear the screen
LCDClearScreen();

// set a few pixels
LCDSetPixel(30, 120, RED);
LCDSetPixel(34, 120, GREEN);
LCDSetPixel(38, 120, BLUE);
LCDSetPixel(40, 120, WHITE);

// draw some characters
LCDPutChar('E', 10, 10, SMALL, WHITE, BLACK);

// draw a string
LCDPutStr("Hello World", 60, 5, SMALL, WHITE, BLACK);
LCDPutStr("Hello World", 40, 5, MEDIUM, ORANGE, BLACK);
LCDPutStr("Hello World", 20, 5, LARGE, PINK, BLACK);

// draw a filled box
LCDSetRect(120, 60, 80, 80, FILL, BROWN);

// draw a empty box
LCDSetRect(120, 85, 80, 105, NOFILL, CYAN);

// draw some lines
LCDSetLine(120, 10, 120, 50, YELLOW);
LCDSetLine(120, 50, 80, 50, YELLOW);
LCDSetLine(80, 50, 80, 10, YELLOW);
LCDSetLine(80, 10, 120, 10, YELLOW);

LCDSetLine(120, 85, 80, 105, YELLOW);
LCDSetLine(80, 85, 120, 105, YELLOW);

// draw a circle
LCDSetCircle(65, 100, 10, RED);

Delay(8000000);

```



```

// *****
// * bmp display test - display the Olimex photograph
// *****

LCDClearScreen();

LCDWrite130x130bmp();

LCDPutStr("This guy is nuts", 115, 2, LARGE, BLACK, CYAN);

// draw a filled box
LCDSetRect(90, 70, 75, 120, FILL, YELLOW);

LCDPutStr("HELP!", 80, 80, SMALL, BLACK, YELLOW);

// *****
// * endless blink loop
// *****
while (1) {
    if ((pPIO->PIO_ODSR & LED4) == LED4)           // read previous state of LED4
        pPIO->PIO_CODR = LED4;                     // turn LED4 (DS1) on
    else
        pPIO->PIO_SODR = LED4;                       // turn LED4 (DS1) off

    for (j = 1000000; j != 0; j-- );                // wait 1 second 1000000

    IdleCount++;                                    // count # of times through the idle loop
}
}

```

When the main program runs, a series of color filled rectangles is displayed with the name of the color annotated at the bottom of the screen, as shown in Figure 13 below. The colors displayed are:

"White", "Black", "Red", "Green", "Blue", "Cyan", "Magenta", "Yellow", "Brown", "Orange", "Pink"

If you are curious as to how I developed my color values, I referred to this web site:

<http://web.njit.edu/~kevin/rgb.txt.html>

In this web site, **RGB to Color Name Mapping (Triplet and Hex)**, there is a decimal color table where each color value is in the range 0 to 255. I simply used proportionality to convert these values to a range of 0 to 15. This may come in handy when you need to display the color Turquoise!



Figure 13. Filled Rectangle



Figure 14. Text and Graphics

In Figure 14 above, the display shows various rectangles (filled and unfilled), lines and circles. The three font sizes are demonstrated and you can see some single pixel specifications on the far right.

In Figure 15 below, the Olimex BMP image has been displayed with a few overlays of text. Olimex has a free utility on their web site to convert pictures (.jpeg) into the 132 x 132 motif required by the Nokia 6100 LCD display. The text overlays demonstrate foreground and background color specification.



Figure 15. Display of a .bmp image with text

There is available with this tutorial two sample Eclipse projects; one for the Philips controller and one for the Epson controller. They are almost identical, save for the list of command codes in the file "lcd.h" and the InitLcd() routine in the file "lcd.c". You need only determine your controller type and then pick the appropriate example to use.

Conclusions

I set out to write a Nokia 6100 LCD Display Driver that was 100% related to the Philips and Epson Data Sheets. I generally succeeded but there is still the mystery of why the display needed to be inverted and the RGB setting had to be reversed. The subroutines contained herein are the most efficient for this particular controller.

If you need to port this to a different computational platform, then you need to modify the port pins used and rewrite the SPI routines to conform to the alternate microprocessor. I suspect most people could easily handle such details.

I would appreciate comments on this work and would be happy to accept any suggested improvements for inclusion in a future release.

About the Author

Jim Lynch lives in Grand Island, New York and is a software developer for Control Techniques, a subsidiary of Emerson Electric. He develops embedded software for the company's industrial drives (high power motor controllers) which are sold all over the world.



Mr. Lynch has previously worked for Mennen Medical, Calspan Corporation and the Boeing Company. He has a BSEE from Ohio University and a MSEE from State University of New York at Buffalo. Jim is a single Father and has two grown children who now live in Florida and Nevada. He has two brothers, one is a Viet Nam veteran in Hollywood, Florida and the other is the Bishop of St. Petersburg, also in Florida. Jim plays the guitar (search for lynchzilla on youtube.com), enjoys woodworking and hopes to write a book very soon that will teach students and hobbyists how to use these high-powered ARM microcontrollers. Lynch can be reached via e-mail at: lynch007@gmail.com